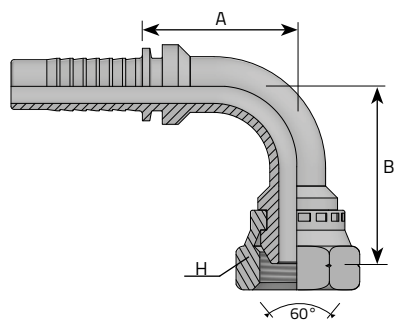


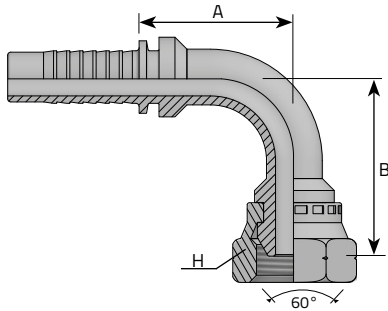
METRIC FEMALE - 90° ELBOW (1)



FEMMINA 90° METRICA SV 60°
 FEMELLE 90° MÉTRIQUE CÔNE 60°
 DKM 90° BOGEN 60° KONUS
 HEMBRA GIRATORIA A 90° MÉTRICA CONO 60°

	Code	Tube			Thread	Dimensions			Pressure	
		D.N.	Hose	Diam		T	H	B	A	Bar
Inch			Inch	mm	mm	mm	mm	mm		
	F90M0310	-3	3/16"	4.8	M10 x 1	15	29	23	350	5076
	F90M0312	-3	3/16"	4.8	M12 x 1.5	17	29	23	350	5076
	F90M0410	-4	1/4"	6.4	M10 x 1	15	29	23	350	5076
	F90M0412	-4	1/4"	6.4	M12 x 1.5	17	29	23	350	5076
	F90M0414	-4	1/4"	6.4	M14 x 1.5	19	29	23	350	5076
	F90M0416	-4	1/4"	6.4	M16 x 1.5	22	32	23	350	5076
	F90M0418	-4	1/4"	6.4	M18 x 1.5	22	32	23	350	5076
	F90M0514	-5	5/16"	7.9	M14 x 1.5	19	33.5	31.5	350	5076
	F90M0516	-5	5/16"	7.9	M16 x 1.5	22	35.5	31.5	350	5076
	F90M0518	-5	5/16"	7.9	M18 x 1.5	22	35.5	31.5	350	5076
	F90M0614	-6	3/8"	9.5	M14 x 1.5	19	37	33	350	5076
	F90M0616	-6	3/8"	9.5	M16 x 1.5	22	38	33	350	5076
	F90M0618	-6	3/8"	9.5	M18 x 1.5	22	38	33	350	5076
	F90M0620	-6	3/8"	9.5	M20 x 1.5	27	42	33	315	4568
	F90M0622	-6	3/8"	9.5	M22 x 1.5	27	42	33	315	4568
	F90M0818	-8	1/2"	12.8	M18 x 1.5	24	43	39	315	4568

METRIC FEMALE - 90° ELBOW (2)



FEMMINA 90° METRICA SV 60°
 FEMELLE 90° MÉTRIQUE CÔNE 60°
 DKM 90° BOGEN 60° KONUS
 HEMBRA MÉTRICA CODO 90° ASIENTO 60°

* REMOVABLE NUT + SPHERICAL SEATING
 DADO SFILABILE + OGIVA SFERICA

Code	Tube			Thread	Dimensions			Pressure	
	D.N.	Hose	Diam		H	B	A	Bar	Psi
	Inch	mm	mm	mm	mm	mm			
F90M0820	-8	1/2"	12.8	M20 x 1.5	27	45	39	315	4568
F90M0822	-8	1/2"	12.8	M22 x 1.5	27	45	39	315	4568
F90M0824	-8	1/2"	12.8	M24 x 1.5	30	47	39	250	3626
F90M0826	-8	1/2"	12.8	M26 x 1.5	32	51	39	250	3626
F90M1026	-10	5/8"	16	M26 x 1.5	32	56	49	250	3626
F90M1027	-10	5/8"	16	M27 x 1.5	32	56	49	250	3626
F90M1226	-12	3/4"	19	M26 x 1.5	32	59	53.5	250	3626
F90M1227	-12	3/4"	19	M27 x 1.5	32	59	53.5	250	3626
* F90M1230	-12	3/4"	19	M30 x 1.5	36	63	53.5	-	-
* F90M1638	-16	1"	25.4	M38 x 1.5	46	72	73	-	-
* F90M2045	-20	1.1/4"	31.8	M45 x 1.5	50	89	93	-	-
* F90M2452	-24	1.1/2"	38.1	M52 x 1.5	55	110	99	-	-