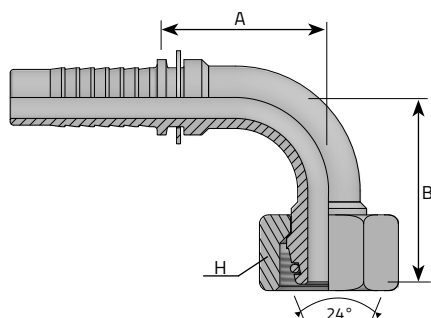


METRIC FEMALE 24° CONE - 90° ELBOW - L TYPE (1)

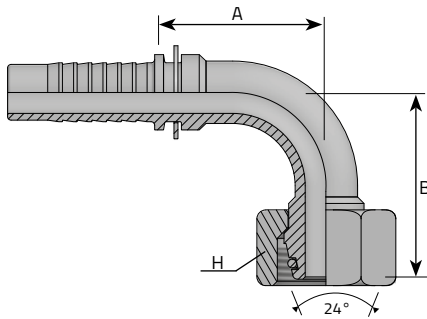


FEMMINA 90° METRICA DKOL CON O-RING 24°
 FEMELLE 90° MÉTRIQUE CÔNE 24° AVEC O-RING - SÉRIE L
 DKO-L 90° BOGEN INNENGEWINDE MIT O-RING 24° KONUS
 HEMBRA GIRATORIA A 90° MÉTRICA CON O-RING CONO 24° - SERIE L

* CRIMPED NUT
 DADO PINZATO

| Code | Tube | | Thread | Dimensions | | | | Pressure | | |
|---------------|------|-------|--------|------------|----|----|------|----------|-----|------|
| | D.N. | Hose | | Diam | T | D | H | B | A | Bar |
| | Inch | | mm | mm | mm | mm | mm | mm | | |
| F90E0312L6 | -3 | 3/16" | 4.8 | M12 x 1.5 | 6 | 14 | 31.5 | 29.5 | 250 | 3626 |
| F90E0314L8 | -3 | 3/16" | 4.8 | M14 x 1.5 | 8 | 17 | 31.5 | 29.5 | 250 | 3626 |
| * F90E0412L6 | -4 | 1/4" | 6.4 | M12 x 1.5 | 6 | 17 | 31.5 | 29.5 | 250 | 3626 |
| F90E0414L8 | -4 | 1/4" | 6.4 | M14 x 1.5 | 8 | 17 | 31.5 | 29.5 | 250 | 3626 |
| F90E0416L10 | -4 | 1/4" | 6.4 | M16 x 1.5 | 10 | 19 | 32.5 | 29 | 250 | 3626 |
| F90E0418L12 | -4 | 1/4" | 6.4 | M18 x 1.5 | 12 | 22 | 30.5 | 27 | 250 | 3626 |
| * F90E0514L8 | -5 | 5/16" | 7.9 | M14 x 1.5 | 8 | 19 | 36.7 | 31.5 | 250 | 3626 |
| F90E0516L10 | -5 | 5/16" | 7.9 | M16 x 1.5 | 10 | 19 | 32.5 | 31 | 250 | 3626 |
| F90E0518L12 | -5 | 5/16" | 7.9 | M18 x 1.5 | 12 | 22 | 37 | 29 | 250 | 3626 |
| * F90E0616L10 | -6 | 3/8" | 9.5 | M16 x 1.5 | 10 | 19 | 38 | 33 | 250 | 3626 |
| F90E0618L12 | -6 | 3/8" | 9.5 | M18 x 1.5 | 12 | 22 | 37.5 | 35.5 | 250 | 3626 |
| F90E0622L15 | -6 | 3/8" | 9.5 | M22 x 1.5 | 15 | 27 | 42 | 34 | 250 | 3626 |
| * F90E0818L12 | -8 | 1/2" | 12.8 | M18 x 1.5 | 12 | 22 | 49 | 39 | 250 | 3626 |
| F90E0822L15 | -8 | 1/2" | 12.8 | M22 x 1.5 | 15 | 27 | 44 | 39.5 | 250 | 3626 |
| F90E0826L18 | -8 | 1/2" | 12.8 | M26 x 1.5 | 18 | 32 | 46.5 | 39.5 | 160 | 2320 |

METRIC FEMALE 24° CONE - 90° ELBOW - L TYPE (2)



FEMMINA 90° METRICA DKOL CON O-RING 24°
 FEMELLE 90° MÉTRIQUE CÔNE 24° AVEC O-RING - SÉRIE L
 DKO-L 90° BOGEN INNENGEWINDE MIT O-RING 24° KONUS
 HEMBRA GIRATORIA A 90° MÉTRICA CON O-RING CONO 24° - SERIE L

* CRIMPED NUT
 DADO PINZATO

| Code | Tube | | Thread | Dimensions | | | | Pressure | | |
|---------------|------|--------|--------|------------|----|----|------|----------|-----|------|
| | D.N. | Hose | | Diam | T | D | H | B | A | Bar |
| | | Inch | mm | mm | mm | mm | mm | mm | | |
| F90E1026L18 | -10 | 5/8" | 16 | M26 x 1.5 | 18 | 32 | 50.5 | 48.5 | 160 | 2320 |
| F90E1030L22 | -10 | 5/8" | 16 | M30 x 2 | 22 | 36 | 53 | 48.5 | 160 | 2320 |
| * F90E1226L18 | -12 | 3/4" | 19 | M26 x 1.5 | 18 | 32 | 63.5 | 53.5 | 160 | 2320 |
| F90E1230L22 | -12 | 3/4" | 19 | M30 x 2 | 22 | 36 | 55.5 | 56.5 | 160 | 2320 |
| F90E1636L28 | -16 | 1" | 25.4 | M36 x 2 | 28 | 41 | 72.5 | 73 | 100 | 1450 |
| F90E2045L35 | -20 | 1.1/4" | 31.8 | M45 x 2 | 35 | 50 | 86.5 | 92 | 100 | 1450 |
| F90E2452L42 | -24 | 1.1/2" | 38.1 | M52 x 2 | 42 | 60 | 94 | 99 | 100 | 1450 |