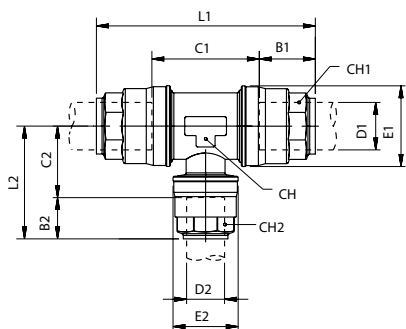


90235

New

RACCORDO PER CALATA
 FITTING FOR OUTLET
 T-ANSCHLUSS REDUZIERT
 TE RÉDUIT
 RACOR A T PARA BAJANTE
 CONEXÃO PARA SAÍDA DE AR



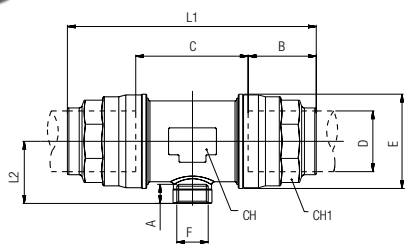
Code	D1	D2	B1	B2	C1	C2	E1	E2	L1	L2	CH	CH1	CH2	Pack.
90235 00 013	20	20	31.5	31.5	48	22.5	34.5	34.5	109	54	28	30	30	3
90235 00 001	25	20	38.5	31.5	45.5	27.5	42.5	34.5	121.5	59	35	35	30	3
90235 00 002	32	20	46	31.5	54.5	31.5	52	34.5	146.5	63	45	45	30	2
90235 00 003	32	25	46	38	54.5	31.5	52	42.5	146.5	70	45	45	35	2
90235 00 004	40	20	52.5	31.5	60	34.5	63	34.5	165.5	66	55	55	30	1
90235 00 005	40	25	52.5	38	60	34.5	63	42.5	165.5	73	55	55	35	1
*90235 00 007	50	20	63.5	31.5	73.5	41.5	73	34.5	201	73	65	65	30	1
*90235 00 008	50	25	63.5	38.5	73.5	41	73	42.5	201	80	65	65	35	1
*90235 00 009	50	32	63.5	46	73.5	41	73	52	201	87.5	65	65	45	1
Alluminio - Aluminium - Aluminium - Aluminium - Aluminium - Alumínio														
90235 00 007 A	50	20	58.5	33	105	57	84	40	222	90	69	72	30	1
90235 00 008 A	50	25	58.5	41	105	57	84	49	222	98	69	72	35	1
90235 00 009 A	50	32	58.5	45	105	57	84	58	222	102	69	72	45	1
90235 00 010 A	63	20	57.5	33	87.5	64.5	94	40	205.5	97	80	75	30	1
90235 00 011 A	63	25	57.5	41	87.5	64.5	94	49	205.5	105	80	75	35	1
90235 00 012 A	63	32	57.5	45	87.5	64.5	94	58	205.5	112	80	75	45	1

***Fino ad esaurimento scorta**
 *Until the end stock
 *Nur solange vorrat
 *Livvable jusqu'à épuisement du stock
 *Hasta fin de stock
 *Ate fim do stock

90236

New

RACCORDO PER CALATA FEMMINA
 FEMALE FITTING FOR OUTLET
 T-ANSCHLUSS MIT INNENGEWINDE
 TÉ FILETÉ
 RACOR PARA BAJANTE ROSCA HEMBRA
 CONEXÃO PARA SAÍDA DE AR (ROSCA FÊMEA)



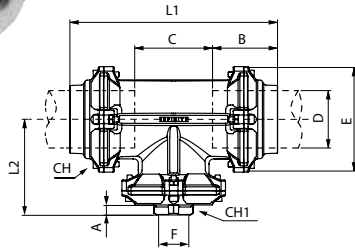
Code	D	F	A	B	C	E	L1	L2	CH	CH1	Pack.
90236 00 006	20	3/8	11	31.5	48	34.5	109	25	28	30	3
90236 00 007	20	1/2	13.5	31.5	48	34.5	109	28	28	30	3
90236 00 001	25	3/8	11	38.5	45.5	42.5	121.5	29	35	35	3
90236 00 008	25	1/2	13.5	38.5	45.5	42.5	121.5	31	35	35	2
90236 00 002	32	1/2	13.5	46	54.5	52	146.5	36.5	45	45	2
90236 00 003	40	1/2	13.5	52.5	60	63	165.5	41.5	55	55	2
*90236 00 004	50	3/4	14.5	63.5	73.5	73	201	47.5	65	65	1
Alluminio - Aluminium - Aluminium - Aluminium - Aluminium - Alumínio											
90236 00 004 A	50	3/4"	14.5	58.5	105	84	222	53	69	72	1
90236 00 020 A	50	1"	17.5	58.5	105	84	222	53	69	72	1
90236 00 017 A	63	1/2	13.5	57.5	88	94	203	53	80	75	1
90236 00 005 A	63	3/4	14.5	57.5	88	94	203	54	80	75	1
90236 00 018 A	63	1"	17.5	57.5	88	94	203	56.5	80	75	1

***Fino ad esaurimento scorta**
 *Until the end stock
 *Nur solange vorrat
 *Livvable jusqu'à épuisement du stock
 *Hasta fin de stock
 *Ate fim do stock

90236 Ø 80-110-168 New

RACCORDO PER CALATA FEMMINA

FEMALE FITTING FOR OUTLET
T-ANSCHLUSS MIT INNENGEWINDE
TÉ FILETÉ
RACOR PARA BAJANTE ROSCA HEMBRA
CONEXÃO PARA SAÍDA DE AR (ROSCA FÊMEA)



Code	D	F	A	B	C	E	L1	L2	CH	CH1	Pack.
90236 00 009	80	3/4	14.5	91	109	145	291.5	138	6	42	1
90236 00 010	80	1"	17	91	109	145	291.5	138	6	49	1
90236 00 011	80	1"-1/2	20	91	109	145	291.5	138	6	66	1
90236 00 012	80	2"	22	91	109	145	291.5	138	6	80	1
90236 00 013	110	3/4	14.5	125.5	150.5	200	401	180	8	42	1
90236 00 014	110	1"	17	125.5	150.5	200	401	180	8	49	1
90236 00 015	110	1"-1/2	20	125.5	150.5	200	401	180	8	66	1
90236 00 016	110	2"	22	125.5	150.5	200	401	180	8	80	1
*90236 00 021	168	3/4	14.5	194	235	306	623	275	10	41.5	1
*90236 00 022	168	1"	17	194	235	306	623	277	10	48	1
*90236 00 023	168	2"	17	194	235	306	623	277	10	78	1
*90236 00 024	168	3"	17	194	235	306	623	277	10	119	1

*Privo del sistema brevettato di separazione condensa

*Without patented condensing trap

*Ohne Patentier System für Integrierten Kondensatablass

*Sans le système breveté de purge des condensats

*Sin sistema de condensado patentado

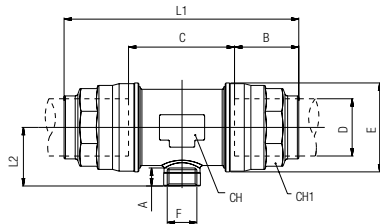
*Sem sistema interno de separação de condensado patentado

90237

NPTF

RACCORDO PER CALATA FEMMINA

FEMALE FITTING FOR OUTLET
T-ANSCHLUSS MIT INNENGEWINDE
TÉ FILETÉ
RACOR PARA BAJANTE ROSCA HEMBRA
CONEXÃO PARA SAÍDA DE AR (ROSCA FÊMEA)



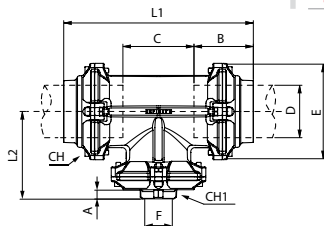
Code	D	F(NPTF)	A	B	C	E	L1	L2	CH	CH1	Pack.
90237 00 007	20	1/2	13.5	31.5	48	34.5	109	25	28	30	3
Alluminio - Aluminium - Aluminium - Aluminium - Aluminium - Alumínio											
90237 00 017 A	63	1/2	13.5	57.5	88	94	203	53	80	75	1
90237 00 005 A	63	3/4	14	57.5	88	94	203	54	80	75	1
90237 00 018 A	63	1"	17	57.5	88	94	203	56.5	80	75	1

90237 Ø 80-110

NPTF

RACCORDO PER CALATA FEMMINA

FEMALE FITTING FOR OUTLET
T-ANSCHLUSS MIT INNENGEWINDE
TÉ FILETÉ
RACOR PARA BAJANTE ROSCA HEMBRA
CONEXÃO PARA SAÍDA DE AR (ROSCA FÊMEA)



Code	D	F(NPTF)	A	B	C	E	L1	L2	CH	CH1	Pack.
90237 00 009	80	3/4	14.5	91	109	145	291.5	138	6	42	1
90237 00 010	80	1"	17	91	109	145	291.5	138	6	49	1
90237 00 011	80	1"-1/2	20	91	109	145	291.5	138	6	66	1
90237 00 012	80	2"	22	91	109	145	291.5	138	6	80	1
90237 00 013	110	3/4	14.5	125.5	150.5	200	401	180	8	42	1
90237 00 014	110	1"	17	125.5	150.5	200	401	180	8	49	1
90237 00 015	110	1"-1/2	20	125.5	150.5	200	401	180	8	66	1
90237 00 016	110	2"	22	125.5	150.5	200	401	180	8	80	1