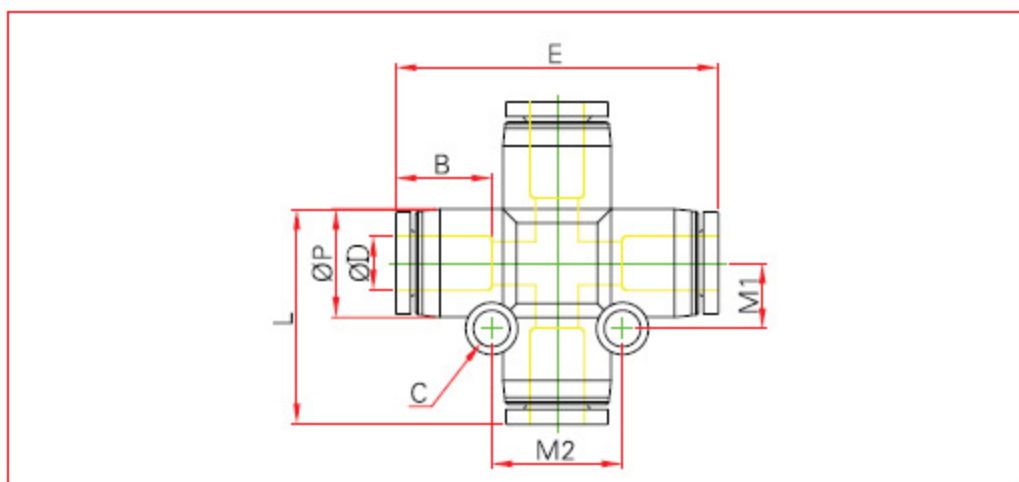


# PZA křížová spojka



| TYP    | ØD | ØP   | M1   | E    | B  | PRŮTOK |
|--------|----|------|------|------|----|--------|
| PZA-04 | 4  | 11   | 7.2  | 35.6 | 15 | 3      |
| PZA-06 | 6  | 13   | 7.8  | 38.2 | 15 | 5      |
| PZA-08 | 8  | 14.4 | 9.1  | 45   | 18 | 6      |
| PZA-10 | 10 | 18.4 | 11.8 | 57.2 | 22 | 8      |
| PZA-12 | 12 | 21   | 14   | 58.6 | 22 | 10     |