

## P/N 430/20



Fixed hose reel s. 430, for air-water, 100 bar, without hose. Inlet-outlet G 1/2" (f)

### SECTORS OF USE

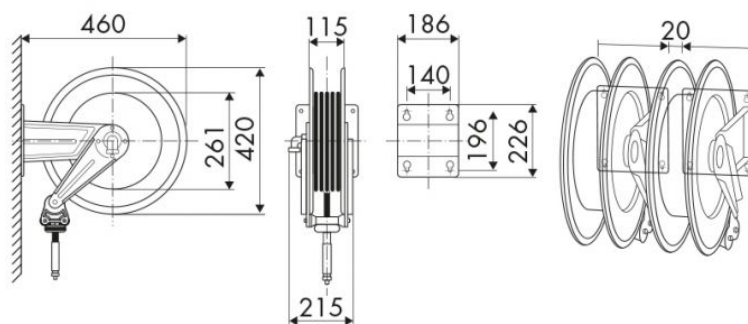
Agriculture, Automotive, Building and road construction, Industry, Lube trucks and transports

### FEATURES

Pressure	100 bar
Compatible fluids	water max 130 °C
Swivel joint	AISI 304 stainless steel
Seals	Viton®
Characteristic	fixed
Material	painted steel
Couplings	-
Hose	-
Ø e hose length	-
Inlet	G 1/2" (f)
Outlet	G 1/2" (f)
Reel flow path	AISI 304 stainless steel - zinc plated steel



### OVERALL DIMENSIONS (mm)



### FURTHER FEATURES

Capacity 5/16"	Capacity 3/8"	Capacity 1/2"
20 m	20 m	16 m