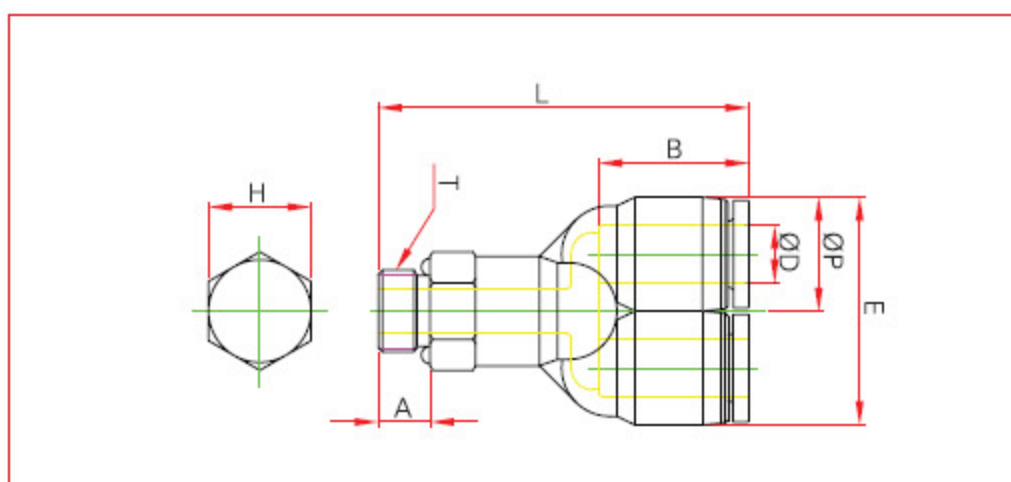


RYCHLOSPOJKY / TYP G

> METRICKÝ SYSTÉM, ZÁVIT BSPP S INTEGROVANÝM O-KROUŽKEM

PWT Y-spojka s vnějším závitem



TYP	ØD	T (Závit)	L	E	A	B	H	PRŮTOK
PWT04-G01	4	G 1/8	42.6	22.1	5.5	15	14	2.5
PWT04-G02	4	G 1/4	44.3	22.1	7.5	15	17	2.5
PWT06-G01	6	G 1/8	44.1	26	5.5	15	14	2.5
PWT06-G02	6	G 1/4	46.2	26	7.5	15	17	4
PWT06-G03	6	G 3/8	47.8	26	7.5	15	20	4
PWT08-G01	8	G 1/8	46.5	29.8	5.5	18	14	4
PWT08-G02	8	G 1/4	48.5	29.8	7.5	18	17	4
PWT08-G03	8	G 3/8	50.2	29.8	7.5	18	20	4
PWT08-G04	8	G 1/2	53.5	29.8	10	18	24	4
PWT10-G01	10	G 1/8	55.2	36.8	5.5	22	17	6.5
PWT10-G02	10	G 1/4	57.2	36.8	7.5	22	17	6.5
PWT10-G03	10	G 3/8	58.9	36.8	7.5	22	20	6.5
PWT10-G04	10	G 1/2	62.2	36.8	10	22	24	7.5
PWT12-G02	12	G 1/4	60	42.4	7.5	22	19	6.5
PWT12-G03	12	G 3/8	61.7	42.4	7.5	22	20	6.5
PWT12-G04	12	G 1/2	65	42.4	10	22	24	7.5