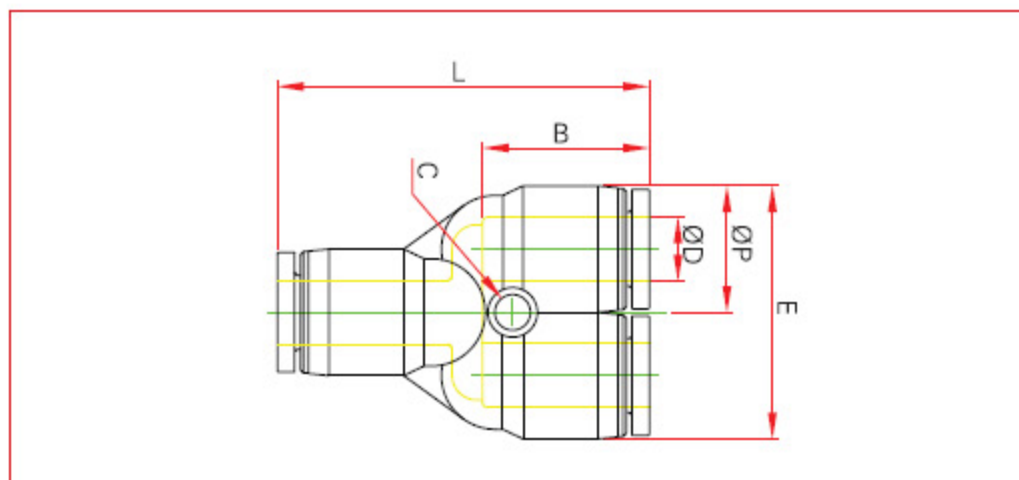


PY jednoduchá Y-spojka



TYP	ØD	L	E	B	ØP	C	PRÚTOK
PY-04	4	35.2	22.2	15	11	3.2	3
PY-06	6	37	26	15	13	3.2	5
PY-08	8	39.4	29.6	18	14.4	3.2	6
PY-10	10	50.2	37.2	22	18.4	4.2	8
PY-12	12	52.6	42.6	22	21	4.2	10
PY-16	16	59.2	51	24	26	5.2	12.5