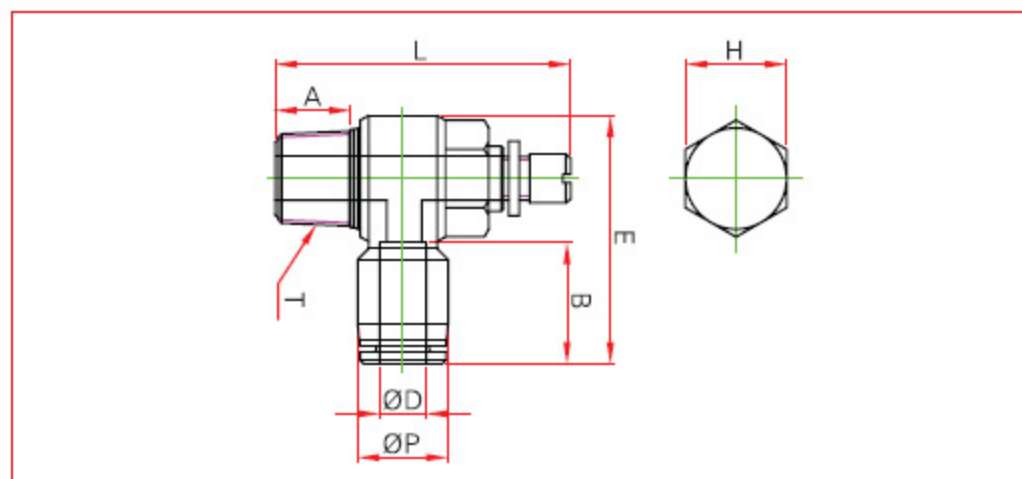


ŠKRTÍCÍ VENTILY / TYP G

> METRICKÝ SYSTÉM, ZÁVIT BSP S INTEGROVANÝM O-KROUŽKEM

SC koleno
otočný typ



TYP	ØD	T (Závit)	L MIN	L MAX	E	A	B	H	ØP
SC-04-G01	4	G1/8	28.7	35.4	41.3	9	15	12	11
SC-04-G02	4	G1/4	33.1	42.6	47.5	11.6	15	14	11
SC-06-G01	6	G1/8	29.1	35.4	41.3	9	15	12	13
SC-06-G02	6	G1/4	34	42.6	47.5	11.6	15	14	13
SC-06-G03	6	G3/8	39.6	48	53	12.5	15	19	13
SC-08-G01	8	G1/8	32.4	35.4	41.3	9	18	12	14.4
SC-08-G02	8	G1/4	37.3	42.6	47.5	11.6	18	14	14.4
SC-08-G03	8	G3/8	40	48	53	12.5	18	19	14.4
SC-08-G04	8	G1/2	46.6	53.5	61	15.6	18	24	14.4
SC-10-G01	10	G1/8	37	35.4	41.3	9	22	12	18.4
SC-10-G02	10	G1/4	41	42.6	47.5	11.6	22	14	18.4
SC-10-G03	10	G3/8	43.3	48	53	12.5	22	19	18.4
SC-10-G04	10	G1/2	49	53.5	61	15.6	22	24	18.4
SC-12-G02	12	G1/4	42	42.6	47.5	11.6	22	14	21
SC-12-G03	12	G3/8	45.9	48	53	12.5	22	19	21
SC-12-G04	12	G1/2	49	53.5	61	15.6	22	24	21