

# SoftFlow Material Conveying Quick Connect Couplings

made of Stainless Steel 1.4305

## DN 41

- High-quality quick coupling system for pressure or vacuum-conveying bulk material or liquids, eg. for vacuum-conveying granulate material in the plastics industry
- Low wearing due to coupling body made of stainless steel
- Coupling sleeve, plug and cap made of aluminium (hard coated)
- Full, straight-through passage without profile narrowing
- Light weight, easy to handle
- Quick coupling principle with ball shut-off for easy operation
- Easy manual replacement of sealing rings
- Perfectly adapted hose stems for PVC or polyurethane spiral hoses
- Plug and coupling for tube connection with double O-ring sealing and fixing with screw

Max. Working Pressure	Temperature	DN	Operation	Type of valve	Vacuum	Media	
PN 10 bar	-15° – +95° C	41	Two-hands	Straight-through	Vacuum	Plastic granulate	1



### SoftFlow Coupling with hose stem

Hose connection	L	D	L1	DS	Passage	Weight	Type No.
Hose i.D. 38	82	65	45	49	34	340	GRK 38 T
Hose i.D. 40	82	65	45	49	36	340	GRK 40 T
Hose i.D. 45	82	65	45	49	41	340	GRK 45 T
Hose i.D. 50	82	65	45	49	41	360	GRK 50 T

For hose clips type HS/ HSE (© Page 194 - 195)



### SoftFlow Vacuum Coupling for tube connection\*

Connection	L	D	L1	DS	Passage	Weight	Type No.
Tube AD 38	70	65	30	49	34	480	GRK 38 R
Tube AD 40	70	65	30	49	36	480	GRK 40 R
Tube AD 45	70	65	30	49	41	520	GRK 45 R
Tube AD 50	70	65	30	49	41	580	GRK 50 R

\*Attention: Only suitable for vacuum applications, sealing with O-ring, fixing with screw



### SoftFlow Coupling with female thread

Thread connection	SW	L	D	L1	DS	Passage	Weight	Type No.
G 1 1/2 f	55	68	65	19	49	41	560	GRK 15 I
G 2 f	60	68	65	19	49	41	650	GRK 20 I



### SoftFlow Cap Coupling with chain

L	D	DS	Chain Length	Weight	Type No.
48	68	49	170	320	GRK-V

### Original Sealing Ring for coupling

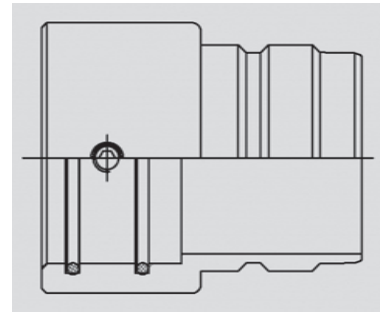
Type	Size	Material		Weight	Type No.
O-ring	45 x 5	NBR	10	6	GRK-D

Adapted hose stems for other hose dimensions/ types on request



### Materials

- Sleeve: Aluminium (hard coated)
- Valve body, plug: Stainless steel 1.4305
- Springs, retaining ring: Stainless steel 1.4310
- Balls: Stainless steel 1.4304
- Seals: NBR
- Screw: Stainless steel 1.4301
- Plug: Aluminium (hard coated)



### SoftFlow Plug with hose stem

Hose connection	L	D	L1	L2	DS	Passage	Weight	Type No.
Hose i.D. 38	83	55	45	36	49	34	310	GRS 38 T
Hose i.D. 40	83	55	45	36	49	36	315	GRS 40 T
Hose i.D. 45	83	55	45	36	49	41	330	GRS 45 T
Hose i.D. 50	83	55	45	36	49	41	360	GRS 50 T

For hose clips type HS/ HSE (© Page 194 - 195)



### SoftFlow Vacuum Plug for tube connection\*

Connection	L	D	L1	L2	DS	Passage	Weight	Type No.
Tube AD 38	68.5	58	30	36	49	34	360	GRS 38 R
Tube AD 40	68.5	58	30	36	49	36	370	GRS 40 R
Tube AD 45	68.5	58	30	36	49	41	385	GRS 45 R
Tube AD 50	68.5	58	30	36	49	41	420	GRS 50 R

\*Attention: Only suitable for vacuum applications, sealing with O-ring, fixing with screw



### SoftFlow Plug with female thread

Thread connection	SW	L	D	L1	L2	DS	Passage	Weight	Type No.
G 1 1/2 f	55	65	59	19	36	49	41	350	GRS 15 I
G 2 f	60	65	59	19	36	49	41	380	GRS 20 I



### SoftFlow Cap Plug with chain

L	D	L1	DS	Length chain	Weight	Type No.
60	58	36	49	170	195	GRS-V



Special types/versions, i.e. with bulkhead-screwing, plug or colour coding, and other sizes on request

