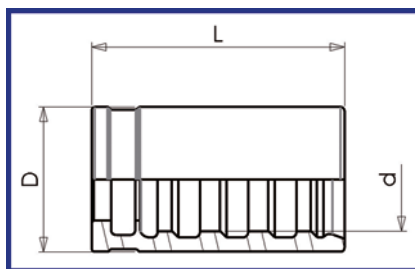


BOCCOLE A PRESSARE PER TUBI SERIE MTK – MTKH SWAGED FERRULE FOR HOSES MTK – MTKH SERIES

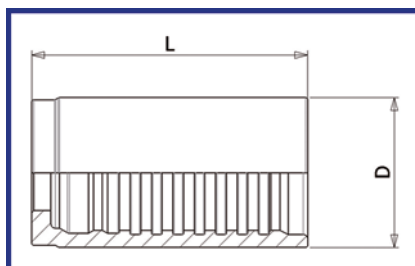


í € FJ

Codice Boccola Ferrule Code	Tubo Hose	Dimensioni Boccola / Ferrule Dimensions		
		d	D	L
BP316MTK	3/16"	13,0	18,0	30.0
BP14R9R *	1/4"	15,3	21,0	40.0
BP516MTK *	5/16"	17.5	24.0	30.0
BP38R9R *	3/8"	18,7	26,0	43.0
BP12R9R *	1/2"	23,0	30,0	45.0
BP58R9R *	5/8"	25,5	33,4	50.0
BP34R9R *	3/4"	29,4	38,0	55.0
BP1R9R *	1"	36,4	46,0	75.0

* Si raccomanda l'utilizzo di RACCORDI ZEC tipo MULTISPIRAL - We recommend the use of FITTINGS ZEC type MULTISPIRAL

BOCCOLE A PRESSARE PER TUBI SERIE MTKM - MTKHM SWAGED FERRULE FOR HOSES MTKM - MTKHM SERIES



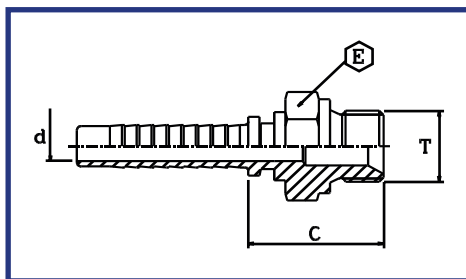
í € H€

Codice Boccola Ferrule Code	Tubo Hose	Dimensioni Boccola / Ferrule Dimensions		
		d	D	L
BP14R9R *	1/4" M	15,3	21,0	40.0
BP38MTKM *	3/8" M	21,0	28,0	46.0
BP12MTKM *	1/2" M	27.0	35.0	64.5
BP58MTKM *	5/8" M	28.5	36.0	50.0
BP34MTKM *	3/4" M	32.5	42.0	55.0
BP1MTKM *	1" M	40.5	50.0	75.0
BP114MTKHM	1" 1/4 M	46.4	56.0	66.0

* Si raccomanda l'utilizzo di RACCORDI ZEC tipo MULTISPIRAL - We recommend the use of FITTINGS ZEC type MULTISPIRAL



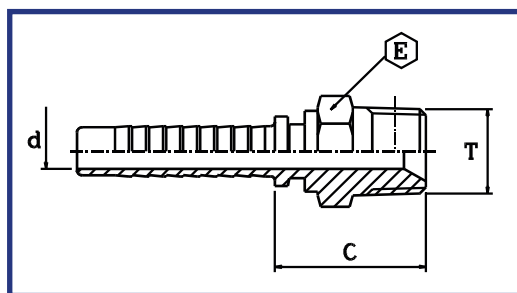
MASCHIO R9 BSP PARALLELO SV.60° R9 BSP MALE PARALLEL 60° CONE



íïH€

Codice / Part nr	hose ID			thread	d	hex	cut-off
	in	mm	size	T		E	C
RPMD1414R9	1/4	6,4	04	1/4-19	4	19	28
RPMD3838R9	3/8	9,5	06	3/8-19	7	22	30
RPMD1212R9	1/2	12,7	08	1/2-14	9,5	27	33
RPMD5858R9	5/8	16,0	10	5/8-14	12	30	35
RPMD3434R9	3/4	19,0	12	3/4-14	15	32	37
RPMD11R9	1	25,4	16	1-11	20	38	42

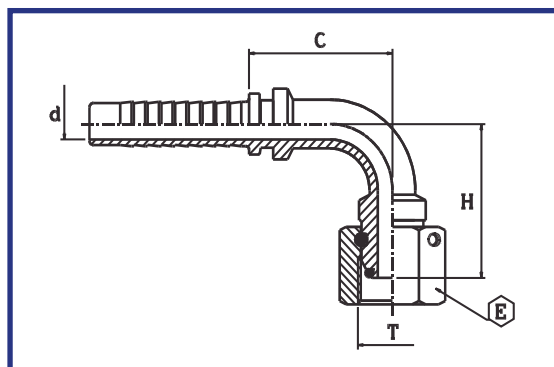
MASCHIO R9 BSP CONICO SV.60° R9 BSP TAPER MALE 60° CONE



íïHF

Codice / Part nr	hose ID			thread	d	hex	cut-off
	in	mm	size	T		E	C
RPMDC1414R9	1/4	6,4	04	1/4-19	4	17	28,8
RPMDC3838R9	3/8	9,5	06	3/8-19	7	19	29,3
RPMDC1212R9	1/2	12,7	08	1/2-14	9,5	22	34,3
RPMDC3434R9	3/4	19,0	12	3/4-14	15	30	38,7
RPMDC11R9	1	25,4	16	1-11	20	36	45,5

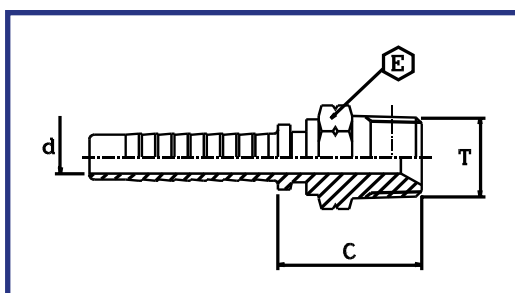
CURVA R9 BSP 90° CONO 60° DADO SPINATO
R9 BSP 90° SWEPT ELBOW 60° CONE THRUST WIRE NUT



íîíí

Codice / Part nr	hose ID			thread	hex	drop	cut-off
	in	mm	size	T	E	H	C
RPF901414R9	1/4	6,4	04	1/4-19	4	19	26
RPF903838R9	3/8	9,5	06	3/8-19	7	22	35
RPF901212R9	1/2	12,7	08	1/2-14	9,5	27	40
RPF905858R9	5/8	16,0	10	5/8-14	12	30	46
RPF903434R9	3/4	19,0	12	3/4-14	15	32	58
RPF9011R9	1	25,4	16	1-11	20	38	72

MASCHIO R9 NPT SV.60°
R9 NPT MALE 60° CONE

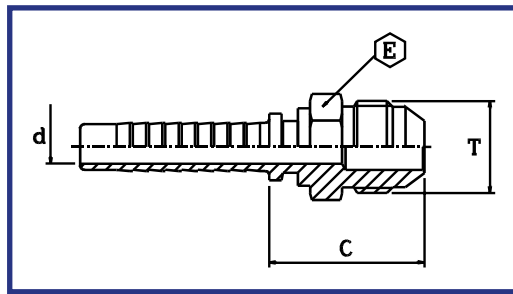


íîíí

Codice / Part nr	hose ID			thread	hex	cut-off
	in	mm	size	T	E	C
RPMD14NPT14R9	1/4	6,4	04	1/4-18	4	29
RPMD38NPT14R9	1/4	6,4	04	3/8-18	4	29
RPMD38NPT38R9	3/8	9,5	06	3/8-18	7	29
RPMD12NPT12R9	1/2	12,7	08	1/2-14	9,5	35
RPMD34NPT34R9	3/4	19,0	12	3/4-14	15	39
RPMD1NPT1R9	1	25,4	16	1-11.1/2	20	46



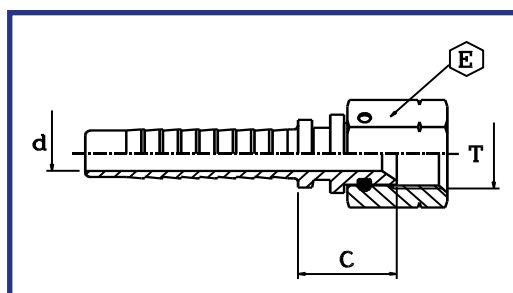
MASCHIO R9 JIC SV. 74° R9 JIC MALE 74° CONE



íîĤî

Codice / Part nr	hose ID			thread	d	hex	cut-off
	in	mm	size	T		E	C
RPMD916J14R9	1/4	6,4	04	9/16-18	4	12	28,4
RPMD716J14R9	1/4	6,4	04	7/16-20	4	12	27,8
RPMD916J38R9	3/8	9,5	06	9/16-18	7	15	28,4
RPMD34J12R9	1/2	12,7	08	3/4-16	9,5	19	31,5
RPMD78J12R9	1/2	12,7	08	7/8-14	9,5	24	35,6
RPMD78J58R9	5/8	16,0	10	7/8-14	12	24	35,6
RPMD1116J34R9	3/4	19,0	12	1.1/16-12	15	27	39,9
RPMD1516J34R9	3/4	25,4	16	1.5/16-12	15	34	43,1
RPMD1516J1R9	1	25,4	16	1.5/16-12	20	34	44,6

FEMMINA R9 JIC SV. 74° DADO SPINATO R9 JIC FEMALE 74° CONE THRUST NUT

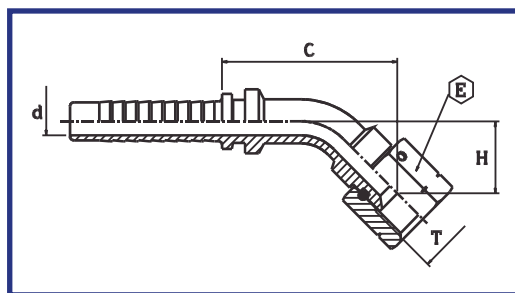


íîĤî

Codice / Part nr	hose ID			thread	d	hex	cut-off
	in	mm	size	T		E	C
RPF916J14R9	1/4	6,4	04	9/16-18	4	19	18
RPF716J14R9	1/4	6,4	04	7/16-20	4	14	16
RPF916J38R9	3/8	9,5	06	9/16-18	7	19	18
RPF34J12R9	1/2	12,7	08	3/4-16	9,5	24	20
RPF78J12R9	1/2	12,7	08	7/8-14	9,5	27	21
RPF78J58R9	5/8	16,0	10	7/8-14	12	27	21
RPF1116J34R9	3/4	19,0	12	1.1/16-12	15	32	23
RPF1516J1R9	1	25,4	16	1.5/16-12	20	41	27



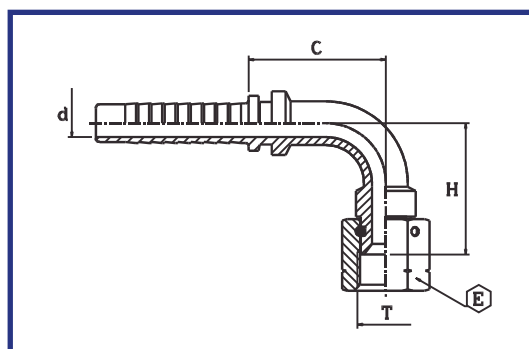
CURVA R9 JIC 45° SV. 74° DADO SPINATO R9 JIC 45° SWEEP ELBOW 74° CONE THRUST WIRE NUT



íîHÌ

Codice / Part nr	hose ID			thread	hex	drop	cut-off
	in	mm	size	T	E	H	C
RPF45716J14R9	1/4	6,4	04	7/16-20	4	14	37
RPF45916J38R9	3/8	9,5	06	9/16-18	7	19	45
RPF4534J12R9	1/2	12,7	08	3/4-16	9,5	24	53
RPF4578J12R9	1/2	12,7	08	7/8-14	9,5	27	54
RPF4578J58R9	5/8	16,0	10	7/8-14	12	27	60
RPF451116J34R9	3/4	19,0	12	1.1/16-12	15	32	71
RPF451516J1R9	1	25,4	16	1.5/16-12	20	41	86

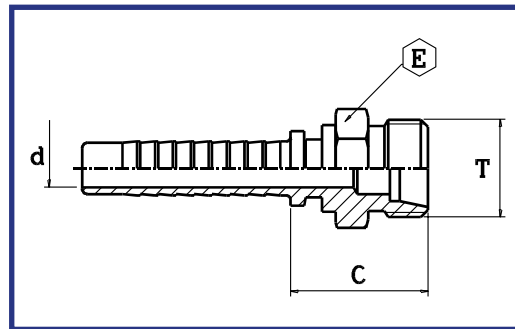
CURVA R9 JIC 90° SV. 74° DADO SPINATO R9 JIC 90° SWEEP ELBOW 74° CONE THRUST WIRE NUT



íîHJ

Codice / Part nr	hose ID			thread	hex	drop	cut-off
	in	mm	size	T	E	H	C
RPF90716J14R9	1/4	6,4	04	7/16-20	4	14	26
RPF90916J38R9	3/8	9,5	06	9/16-18	7	19	35
RPF9034J12R9	1/2	12,7	08	3/4-16	9,5	24	40
RPF9078J12R9	1/2	12,7	08	7/8-14	9,5	27	40
RPF9078J58R9	5/8	16,0	10	7/8-14	12	27	46
RPF901116J34R9	3/4	19,0	12	1.1/16-12	15	32	58
RPF901516J1R9	1	25,4	16	1.5/16-12	20	41	72

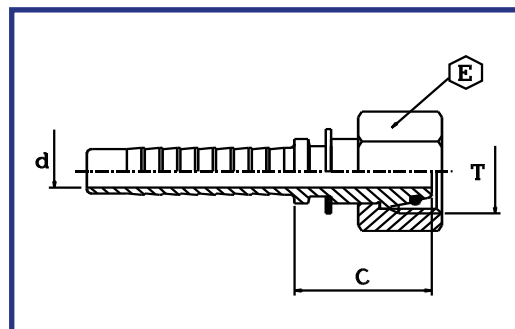
MASCHIO R9 METRICO SV. 24° SERIE PESANTE R9 METRIC MALE 24° SEAT HEAVY



íïH€

Codice / Part nr	hose ID			thread	erm.	hex	d	cut-off
	in	mm	size	T		E		
RPMD241512R9	1/2	12,7	08	M24-1.5	16	24	9,5	32
RPMD30258R9	5/8	16,0	10	M30-2	20	30	12,0	34
RPMD36234R9	3/4	19,0	12	M36-2	25	36	15,0	40
RPMD4221R9	1	25,4	16	M42-2	30	46	20,0	44

FEMMINA R9 METRICA SV. 24° SERIE PESANTE R9 METRIC FEMALE 24° SEAT HEAVY

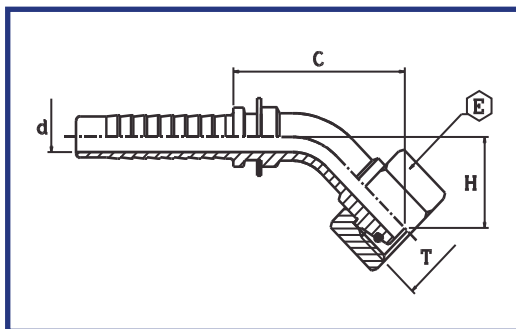


íïHƒ

Codice / Part nr	hose ID			thread	erm.	hex	d	cut-off
	in	mm	size	T		E		
RPF141514R9	1/4	6,4	04	M14-1.5	6	17	4	23
RPF161514R9	1/4	6,4	04	M16-1.5	8	19	4	27
RPF181514R9	1/4	6,4	04	M18-1.5	10	22	4	24
RPF201514R9	1/4	6,4	04	M20-1.5	12	24	4	27
RPF201538R9	3/8	9,5	06	M20-1.5	12	24	7	27
RPF221538R9	3/8	9,5	06	M22-1.5	14	27	7	29
RPF241538R9	3/8	9,5	06	M24-1.5	16	30	7	29
RPF241512R9	1/2	12,7	08	M24-1.5	16	30	9,5	29
RPF30258R9	5/8	16,0	10	M30-2	20	36	12	34
RPF36234R9	3/4	19,0	12	M36-2	25	41	15	41
RPF4221R9	1	25,4	16	M42-2	30	50	20	45



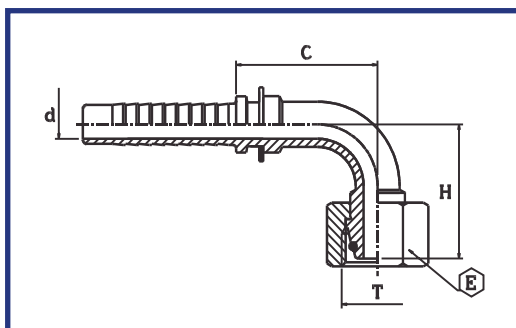
CURVA R9 METRICA 45° SV. 24° SERIE PESANTE
R9 45° METRIC SWEEP ELBOW 24° SEAT HEAVY



íîĤĠ

Codice / Part nr	hose ID			thread	erm.	hex	drop	cut-off	
	in	mm	size	T		E	H	C	
RPF45241512R9	1/2	12,7	08	M24-1.5	16	30	9,5	23	49
RPF4530258R9	5/8	16,0	10	M30-2	20	36	12,0	28	64
RPF4536234R9	3/4	19,0	12	M36-2	25	46	15,0	31	75
RPF454221R9	1	25,4	16	M42-2	30	50	20,0	33	84

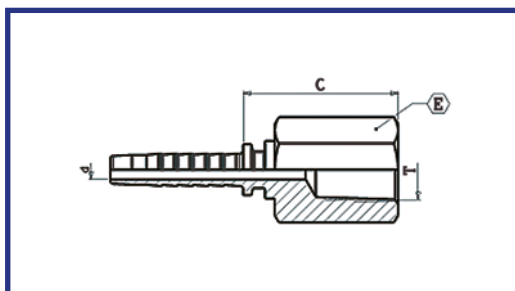
CURVA R9 METRICA 90° SV. 24° SERIE PESANTE
R9 90° METRIC SWEEP ELBOW 24° SEAT HEAVY



íîĤĤ

Codice / Part nr	hose ID			thread	erm.	hex	drop	cut-off	
	in	mm	size	T		E	H	C	
RPF90241512R9	1/2	12,7	08	M24-1.5	16	30	9,5	38	42
RPF9030258R9	5/8	16,0	10	M30-2	20	36	12,0	49	47
RPF9030234R9	3/4	19,0	12	M30-2	20	36	15,0	55	59
RPF9036234R9	3/4	19,0	12	M36-2	25	46	15,0	58	58
RPF904221R9	1	25,4	16	M42-2	30	50	20,0	66	74

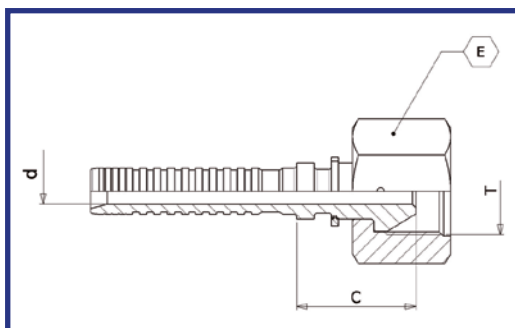
FEMMINA R9 NPTFR CONICO R9 NPTFR FEMALE CONE



íîĤí

Codice / Part nr	hose ID			thread	d	hex	cut-off
	in	mm	size	T		E	C
RPFD14NPTFR14R9	1/4	6,4	04	1/4-18	4	19	32

FEMMINA SPECIALE BSP SV 60° SPECIAL BSP FEMALE 60° CONE



íîĤí

Codice / Part nr	hose ID			thread	d	hex	cut-off
	in	mm	size	T		E	C
RPFD14316MTKM	3/16	4,8	03	1/4-19	3,0	22	25,5
RPFD1212MTKM	1/2	12,7	08	1/2-14	7,5	32	33,5
RPFD1UNF12MTKM	1/2	12,7	08	1UNF	7,5	36	34,5