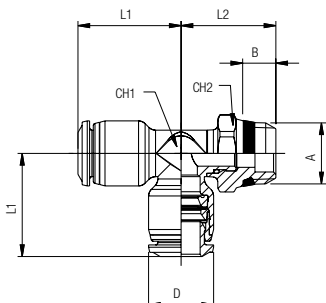


85223

RACCORDO A T ORIENTABILE MASCHIO LATERALE "UNIVERSAL SHORT"

ORIENTING TEE MALE ADAPTOR "UNIVERSAL SHORT" OFF - SET LEG
 L-EINSCHRAUBVERSCHRAUBUNG KONISCH (DREHBAR) "UNIVERSAL SHORT"
 TÉ ORIENTABLE À PIQUAGE LATÉRAL, CONIQUE "UNIVERSAL SHORT"
 RACOR A T ORIENTABLE MACHO LATERAL CÓNICO "UNIVERSAL SHORT"
 CONEXÃO EM "T" LATERAL ORIENTÁVEL COM ROSCA MACHO "UNIVERSAL SHORT"



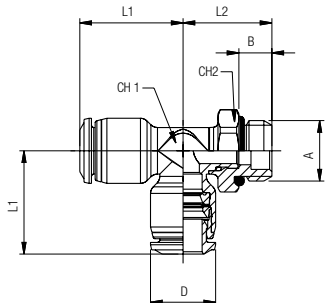
Code	Tube	A	B	L1	L2	CH1	CH2	D	Pack.
85223 00 001	1/8	1/8	5.5	15	18	7	13	10	10
85223 00 002	1/8	1/4	7	15	19.5	7	15	10	10
85223 00 003	5/32	1/8	5.5	16.5	18	7	13	10	10
85223 00 004	5/32	1/4	7	16.5	19.5	7	15	10	10
85223 00 006	1/4	1/8	5.5	20.5	17.5	9	13	12.5	10
85223 00 007	1/4	1/4	7	20.5	19	9	15	12.5	10
85223 00 008	5/16	1/8	5.5	22	19	10	13	14	10
85223 00 009	5/16	1/4	7	22	20.5	10	15	14	10
85223 00 010	5/16	3/8	7.5	22	21	10	17	14	10
85223 00 011	3/8	1/4	7	26.5	22	13	16	17	10
85223 00 012	3/8	3/8	7.5	26.5	22	13	17	17	10
85223 00 013	3/8	1/2	9	26.5	24.5	13	21	17	10
85223 00 014	1/2	1/4	7	31	23	16	16	20	10
85223 00 015	1/2	3/8	7.5	31	23	16	17	20	10
85223 00 016	1/2	1/2	9	31	25.5	16	21	20	10

85226

UNF

RACCORDO A T ORIENTABILE MASCHIO LATERALE CILINDRICO

ORIENTING TEE MALE ADAPTOR (PARALLEL) - OFF - SET LEG
 L-EINSCHRAUBVERSCHRAUBUNG ZYLINDRISCH (DREHBAR)
 TÉ ORIENTABLE À PIQUAGE LATÉRAL, CYLINDRIQUE
 RACOR A T ORIENTABLE MACHO LATERAL CILÍNDRICO CON TÓRICA
 CONEXÃO MACHO EM "T" LATERAL ORIENTÁVEL COM ROSCA PARALELA

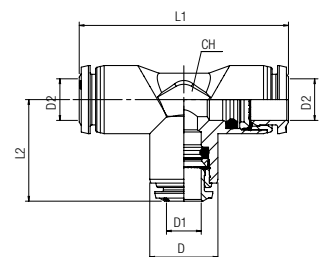


Code	Tube	A	B	L1	L2	CH1	CH2	D	Pack.
85226 00 001	5/32	10/32	4	16.5	16	7	9	10	10
85226 00 002	1/4	10/32	4	20.5	14.5	9	9	12.5	10

85230

RACCORDO A T INTERMEDIO

TEE CONNECTOR
 T-ANSCHLUSS
 RACCORD TÉ
 RACOR A T INTERMEDIO
 CONEXÃO EM "T" TUBO-TUBO



Code	Tube	L1	L2	CH	D	D1	D2	Pack.
85230 00 001	1/8	31	15.5	9	10	3	3	10
85230 00 002	5/32	33	16.5	9	10	4	4	10
85230 00 019	5/32-1/4-5/32	40	20.5	11	12.5	6	4	10
85230 00 009	1/4-5/32-1/4	41	20	11	12.5	4	6	10
85230 00 004	1/4	41	20.5	11	12.5	6	6	10
85230 00 010	5/16-1/4-5/16	45	22.5	13	14	6	8	10
85230 00 005	5/16	44	22	13	14	8	8	10
85230 00 015	5/16-3/8-5/16	52	26.5	16	17	10	8	10
85230 00 011	3/8-5/16-3/8	53	26	16	17	8	10	10
85230 00 006	3/8	53	26.5	16	17	10	10	10
85230 00 017	3/8-1/2-3/8	59.5	30.5	19	20	12	10	10
85230 00 012	1/2-3/8-1/2	61.5	30	19	20	10	12	10
85230 00 007	1/2	61.5	30	19	20	12	12	10