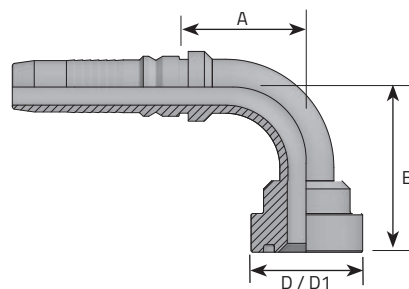


INTERLOCK SUPERCAT FLANGE 90°

FLANGIA 90° SUPERCAT
 BRIDE 90° SUPERCAT (PIÈCE ENTIER)
 90° FLANSCHANSCHLUSS SUPERCAT EINTEILIG
 BRIDA A 90° SUPERCAT (PIEZA UNICA)

Do Not Include O-Ring / O-Ring Non Compresso /
 Sans O-Ring / Ohne O-Ring/ Sin O-Ring

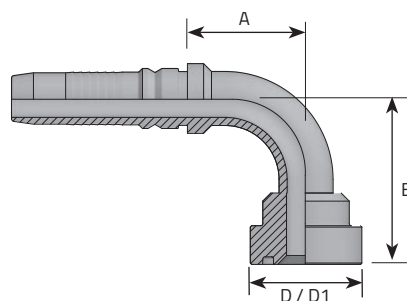


| Code | Tube | | | Thread | Dimensions | | | | Pressure | |
|------------|------|--------|------|--------|------------|------|-----|------|----------|------|
| | D.N. | Hose | Diam | | D | D1 | B | A | Bar | Psi |
| | Inch | | mm | Inch | mm | mm | mm | | | |
| KF90S1212I | -12 | 3/4" | 19 | | 3/4" | 41.3 | 67 | 54.7 | 420 | 6091 |
| KF90S1216I | -12 | 3/4" | 19 | | 1" | 47.6 | 73 | 54.7 | 420 | 6091 |
| KF90S1616I | -16 | 1" | 25.4 | | 1" | 47.6 | 75 | 70.6 | 415 | 6019 |
| KF90S1620I | -16 | 1" | 25.4 | | 1.1/4" | 54 | 80 | 74.6 | 415 | 6019 |
| KF90S2020I | -20 | 1.1/4" | 31.8 | | 1.1/4" | 54 | 97 | 87.7 | 415 | 6019 |
| KF90S2024I | -20 | 1.1/4" | 31.8 | | 1.1/2" | 63.5 | 99 | 87.7 | 415 | 6019 |
| KF90S2424I | -24 | 1.1/2" | 38.1 | | 1.1/2" | 63.5 | 113 | 99.5 | 345 | 5004 |

INTERLOCK SUPERCAT FLANGE - 90° ELBOW (LONG DROP)

FLANGIA 90° SUPERCAT
 BRIDE 90° SUPERCAT (PIÈCE ENTIER)
 90° FLANSCHANSCHLUSS SUPERCAT EINTEILIG
 BRIDA A 90° SUPERCAT (PIEZA UNICA)

Do Not Include O-Ring / O-Ring Non Compresso /
 Sans O-Ring / Ohne O-Ring/ Sin O-Ring



| Code | Tube | | | Thread | Dimensions | | | | Pressure | |
|--------------|------|--------|------|--------|------------|-------|------|-----|----------|-----|
| | D.N. | Hose | Diam | | D | D1 | B | A | Bar | Psi |
| | Inch | | mm | Inch | mm | mm | mm | | | |
| KF90S1212ILD | -12 | 3/4" | 19 | 3/4" | 41.3 | 105.4 | 54.7 | 420 | 6091 | |
| KF90S1216ILD | -12 | 3/4" | 19 | 1" | 47.6 | 144.8 | 54.7 | 420 | 6091 | |
| KF90S1616ILD | -16 | 1" | 25.4 | 1" | 47.6 | 124.8 | 70.6 | 415 | 6019 | |
| KF90S2020ILD | -20 | 1.1/4" | 31.8 | 1.1/4" | 54 | 124 | 87.7 | 415 | 6019 | |
| KF90S2424ILD | -24 | 1.1/2" | 38.1 | 1.1/2" | 63.5 | 141.7 | 99.5 | 345 | 5004 | |