

1. Content

1. Content
2. Articulenumbers and technical data
3. Material list
4. Diagrams

2. Articulenumbers and technical data

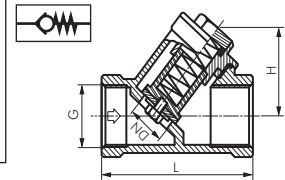
Stainless steel Y-check valves

PN 40

Materials: Housing: 1.4408, seal: PTFE
 Temperature range: -20°C to max. +200°C
 Length according to DIN 3202-M8
 ☞ Optional: Certificate 3.1

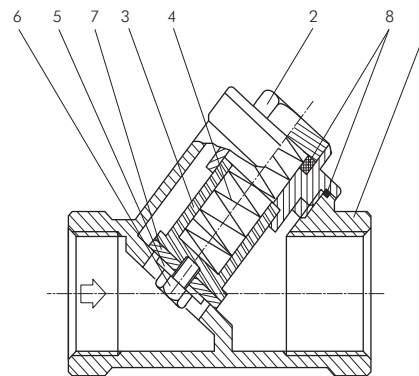


Type	G	DN	L	H	opening pressure
RUCK 14 SS ES	G 1/4"	11,5	65	31	0,4 - 0,8 bar
RUCK 38 SS ES	G 3/8"	11,5	65	31	0,4 - 0,8 bar
RUCK 12 SS ES	G 1/2"	11,5	65	31	0,4 - 0,8 bar
RUCK 34 SS ES	G 3/4"	17,4	75	38	0,4 - 0,8 bar
RUCK 10 SS ES	G 1"	22,5	90	43	0,4 - 0,8 bar
RUCK 114 SS ES	G 1 1/4"	30,0	110	48	0,4 - 0,8 bar
RUCK 112 SS ES	G 1 1/2"	34,0	120	57	0,4 - 0,8 bar
RUCK 20 SS ES	G 2"	44,0	150	65	0,1 - 0,3 bar



3. Material list

Part number	Part	Materials
1	Body	1.4408
2	Cap	1.4408
3	Piston	1.4408
4	Spring	1.4301
5	Washer	1.4301
6	Nut	1.4301
7	Seat	PTFE
8	Seal	PTFE



3. Dimensions

G	DN	L	H	Weight
G 1/4"	11,5	65	31	290 g
G 3/8"	11,5	65	31	260 g
G 1/2"	11,5	65	31	220 g
G 3/4"	17,4	75	38	330 g
G 1"	22,5	90	43	650 g
G 1 1/4"	30,0	110	48	1000 g
G 1 1/2"	34,0	120	57	1400 g
G 2"	44,0	150	65	2300 g

