


Modular Type Regulator *AR Series*

Regulator AR Series	Model	Port size	Set pressure	Options
 <p data-bbox="142 1028 288 1061">p. 93 to 103</p>	AR20(K)-D	1/8, 1/4	0.05 to 0.85 MPa 0.02 to 0.2 MPa	Bracket Set nut (for panel mount) Square embedded type pressure gauge Right angle square type pressure gauge Digital pressure switch Round type pressure gauge
	AR30(K)-D	1/4, 3/8		Bracket Square embedded type pressure gauge Right angle square type pressure gauge
	AR40(K)-D	1/4, 3/8, 1/2		Digital pressure switch Round type pressure gauge
	AR40(K)-06-D	3/4		Bracket Square embedded type pressure gauge
	AR50(K)-D	3/4, 1		Digital pressure switch Round type pressure gauge
	AR60(K)-D	1		

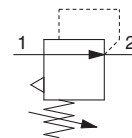
Regulator

AR20-D to AR60-D

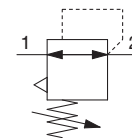
Regulator with Backflow Function

AR20K-D to AR60K-D

Symbol
Regulator



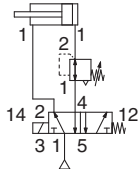
Regulator with Backflow Function



- Models with the backflow function include a mechanism which allows for the air pressure in the outlet side to be released to the inlet side.

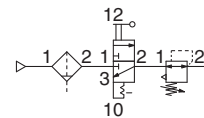
Example 1)

When the pressure in the rear and the front of the cylinder differs:



Example 2)

When the air supply is cut off and releasing the inlet pressure to the atmosphere, the residual pressure release of the outlet side can be ensured for a safety purpose.



How to Order

AR 30 - 03 BE - - D

1
 2
 3
 4
 5
 6

Option and Semi-standard Symbol Selection

- Select one each for a to g.
- When more than one specification is required, indicate in alphanumeric order.
- Example) AR30K-F03BE-1NR-D

	Symbol	Description	① Body size						
			20	30	40	50	60		
② With backflow function	—	Without backflow function	●	●	●	●	●		
	K* ¹	With backflow function	●	●	●	●	●		
+									
③ Pipe thread type	—	Rc	●	●	●	●	●		
	N	NPT	●	●	●	●	●		
	F	G	●	●	●	●	●		
+									
④ Port size	01	1/8	●	—	—	—	—		
	02	1/4	●	●	●	—	—		
	03	3/8	—	●	●	—	—		
	04	1/2	—	—	●	—	—		
	06	3/4	—	—	●	●	—		
10	1	—	—	—	●	●			
+									
a	Mounting	—	Without mounting option	●	●	●	●	●	
		B* ³	With bracket	●	●	●	●	●	
		H	With set nut (for panel mount)	●	●	●	—	—	
+									
⑤ Option* ²	b	Pressure gauge* ⁴	—	Without pressure gauge	●	●	●	●	●
			E	Square embedded type pressure gauge (with limit indicator)	●	●	●	●	●
			G	Round type pressure gauge (with limit indicator)	●	●	●	●	●
			J* ^{5,6}	Right angle square type pressure gauge (with limit indicator)	●	●	●	—	—
	Digital pressure switch* ⁷	E1	Output: NPN output, Electrical entry: Wiring bottom entry	●	●	●	●	●	
		E2	Output: NPN output, Electrical entry: Wiring top entry	●	●	●	●	●	
		E3	Output: PNP output, Electrical entry: Wiring bottom entry	●	●	●	●	●	
		E4	Output: PNP output, Electrical entry: Wiring top entry	●	●	●	●	●	

Regulator **AR20-D to AR60-D Series**

Regulator with Backflow Function **AR20K-D to AR60K-D Series**



AR30-D

		Symbol	Description	①						
				Body size						
				20	30	40	50	60		
⑥	Semi-standard	c	—	0.05 to 0.85 MPa setting	●	●	●	●	●	
			1	0.02 to 0.2 MPa setting	●	●	●	●	●	
				+						
		d	—	Relieving type	●	●	●	●	●	
			N	Non-relieving type	●	●	●	●	●	
				+						
	e	Flow direction	—	Flow direction: Left to right	●	●	●	●	●	
			R	Flow direction: Right to left	●	●	●	●	●	
			+							
	f	Knob	—	Downward	●	●	●	●	●	
			Y	Upward	●	●	●	●	●	
			+							
g	Unit	—	Unit on product label: MPa, Pressure gauge in SI units: MPa	●	●	●	●	●		
		Z*9	Unit on product label: psi, Pressure gauge: MPa/psi dual scale	○*11	○*11	○*11	○*11	○*11		
		ZA*10	Digital pressure switch: With unit selection function	△*12	△*12	△*12	△*12	△*12		

- *1 Set the inlet pressure to at least 0.05 MPa higher than the set pressure.
- *2 Options B, G, H, and M are not assembled and supplied loose at the time of shipment.
- *3 The assembly consists of a bracket and set nuts (applicable to the AR20(K)-D to AR40(K)-D).
For the AR50(K)-D and AR60(K)-D, the assembly consists of 2 types of the bracket and 2 mounting screws.
- *4 When the pressure gauge is attached, a 1.0 MPa pressure gauge will be fitted for standard (0.85 MPa) type. 0.4 MPa pressure gauge for 0.2 MPa type.
- *5 Cannot be selected for the type with a set nut (option "H")
- *6 The direction the pressure gauge scale plate faces is from the knob side.
- *7 When choosing with H (panel mount), the installation space for lead wires will not be secured. In this case, select "wiring top entry" for the electrical entry. (Select "wiring bottom entry" when the semi-standard Y is chosen simultaneously.)
- *8 Pressure can be set higher than the specification pressure in some cases, but use pressure within the specification range.
- *9 For the pipe thread type: NPT
This product is for overseas use only according to the New Measurement Act. (The SI unit type is provided for use in Japan.) Cannot be used with M: Round type pressure gauge (with colour zone). Available by request for special. The digital pressure switch will be equipped with the unit selection function, setting to psi initially.
- *10 For options: E1, E2, E3, E4
This product is for overseas use only according to the New Measurement Act. (The SI unit type is provided for use in Japan.)
- *11 ○: For the pipe thread type: NPT only
- *12 △: Select with options: E1, E2, E3, E4.

AR20-D to AR60-D Series

AR20K-D to AR60K-D Series

Standard Specifications

Model	AR20(K)-D	AR30(K)-D	AR40(K)-D	AR40(K)-06-D	AR50(K)-D	AR60(K)-D
Port size	1/8, 1/4	1/4, 3/8	1/4, 3/8, 1/2	3/4	3/4, 1	1
Pressure gauge port size*1	1/8					
Fluid	Air					
Ambient and fluid temperatures*2	-5 to 60 °C (No freezing)					
Proof pressure	1.5 MPa					
Max. operating pressure	1.0 MPa					
Set pressure range	0.05 to 0.85 MPa					
Construction	Relieving type					
Weight	0.14 kg	0.27 kg	0.48 kg	0.51 kg	1.13 kg	1.25 kg

*1 Pressure gauge connection threads are not available for F.R.L. unit with a square embedded type pressure gauge or with a digital pressure switch.

*2 -5 to 50 °C for the products with the digital pressure switch

Option/Part Nos.

Optional specifications		Model						
		AR20(K)-D	AR30(K)-D	AR40(K)-D	AR40(K)-06-D	AR50(K)-D	AR60(K)-D	
Bracket assembly*1		AR23P-270AS	AR33P-270AS	AR43P-270AS		AR54P-270AS		
Set nut		AR23P-260S	AR33P-260S	AR43P-260S		—*2		
Pressure gauge*3	Round type	Standard	G36-10-□01		G46-10-□01			
		0.02 to 0.2 MPa setting	G36-4-□01		G46-4-□01			
	Round type (with colour zone)	Standard	G36-10-□01-L		G46-10-□01-L			
		0.02 to 0.2 MPa setting	G36-4-□01-L		G46-4-□01-L			
	Square embedded type*4	Standard	GC3-10AS-D [136150A (Pressure gauge cover only)]					
		0.02 to 0.2 MPa setting	GC3-4AS-D [136150A (Pressure gauge cover only)]					
Right angle square type*5	Standard	GC3-10AS-J-D [GC3-10AS-JA-D]				—		
	0.02 to 0.2 MPa setting	GC3-4AS-J-D [GC3-4AS-JA-D]				—		
Digital pressure switch	NPN output, Wiring bottom entry	ISE35-N-25-MLA-X523 [ISE35-N-25-M (Switch body only)]*6						
	NPN output, Wiring top entry	ISE35-R-25-MLA-X523 [ISE35-R-25-M (Switch body only)]*6						
	PNP output, Wiring bottom entry	ISE35-N-65-MLA-X523 [ISE35-N-65-M (Switch body only)]*6						
	PNP output, Wiring top entry	ISE35-R-65-MLA-X523 [ISE35-R-65-M (Switch body only)]*6						

*1 The assembly consists of a bracket and set nuts. For the AR50(K)-D and AR60(K)-D, the assembly consists of a bracket A/B and 2 mounting screws.

*2 Please contact SMC regarding the set nuts for the AR50(K)-D and AR60(K)-D.

*3 □ in part numbers for a round pressure gauge indicates a pipe thread type. No indication is necessary for R; however, indicate N for NPT. Please contact SMC regarding the pressure gauge supply for both MPa and psi unit specifications.

*4 Including one O-ring and 2 mounting screws. []: Pressure gauge cover only

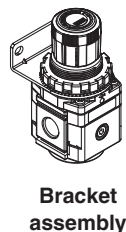
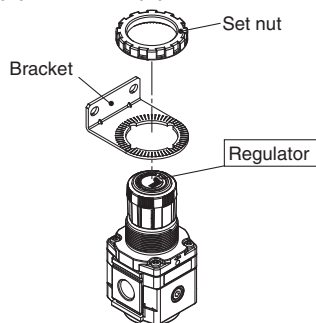
*5 The right angle square type pressure gauge only includes the pressure gauge body. The pressure gauge body comes with 1 O-ring and 2 mounting screws.

In addition, the part number in brackets includes a pressure gauge with a right angle adapter as well as an adapter, lock pin, 1 O-ring, and 2 mounting screws.

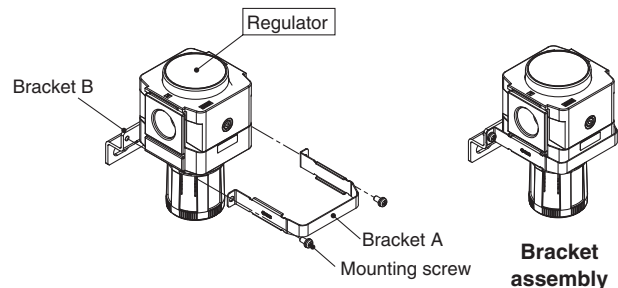
*6 In addition to the pressure switch body, lead wire with connector (2 m), adapter, lock pin, O-ring (1 pc.), mounting screws (2 pcs.) are attached.

[]: Switch body only (For the digital pressure switch specifications, refer to page 130.)

AR20(K)-D to AR40(K)-06-D



AR50(K)-D/AR60(K)-D



Replacement Parts

Description		Part no.					
		AR20(K)-D	AR30(K)-D	AR40(K)-D	AR40(K)-06-D	AR50(K)-D	AR60(K)-D
Valve assembly		AR24P-060AS	AR34P-060AS	AR44P-060AS	AR49P-060AS	AR54P-060AS	AR64P-060AS
Diaphragm assembly	Relieving type	AR24P-150AS	AR34P-150AS	AR44P-150AS		AR54P-150AS	
	Non-relieving type	AR24P-150AS-N	AR34P-150AS-N	AR44P-150AS-N		AR54P-150AS-N	
Valve guide assembly		AR24P-050AS	AR34P-050AS	AR44P-050AS		AR54P-050AS	
Check valve assembly*1		AR24KP-020AS					

*1 The check valve assembly is applicable for a regulator with backflow function (AR20K-D to AR60K-D) only. The assembly consists of a check valve cover, check valve body assembly, and 2 mounting screws.

Regulator **AR20-D to AR60-D Series**

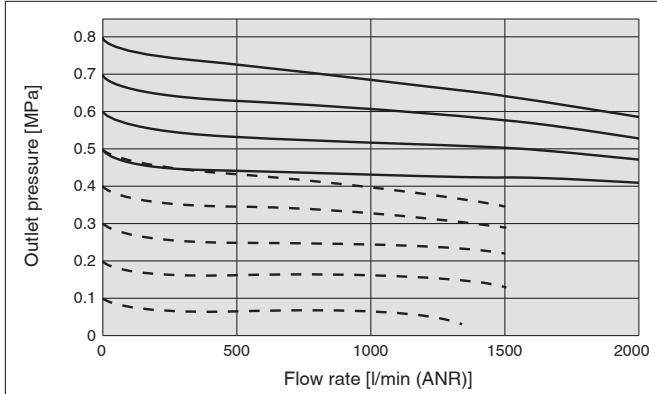
Regulator with Backflow Function **AR20K-D to AR60K-D Series**

Flow Rate Characteristics (Representative values)

— Inlet pressure: 1.0 MPa
 - - - Inlet pressure: 0.7 MPa

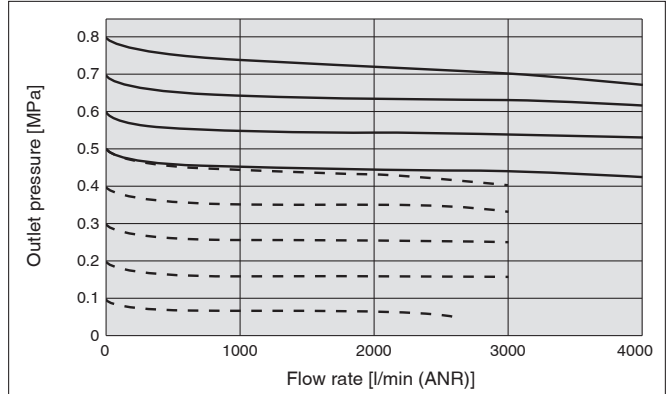
AR20(K)-D

Rc1/4



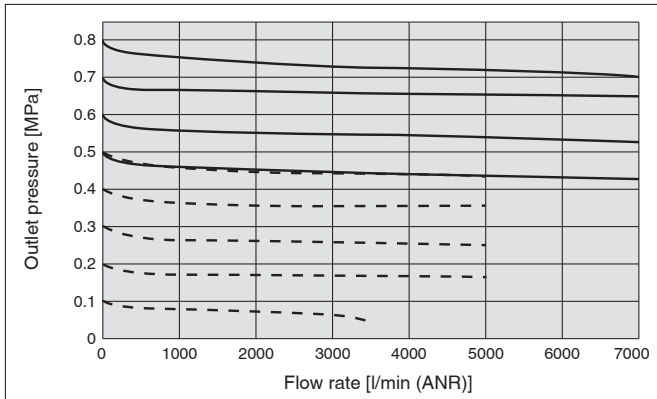
AR30(K)-D

Rc3/8



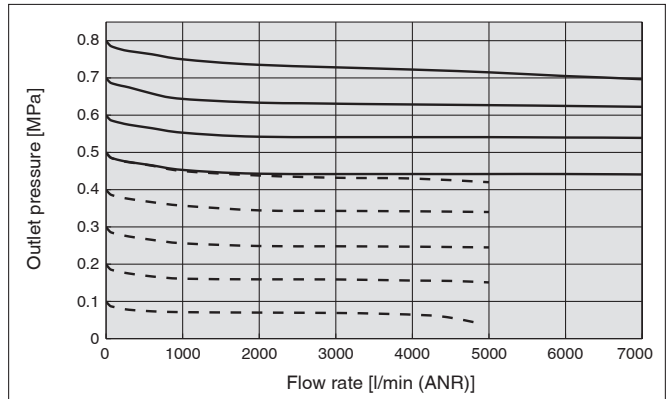
AR40(K)-D

Rc1/2



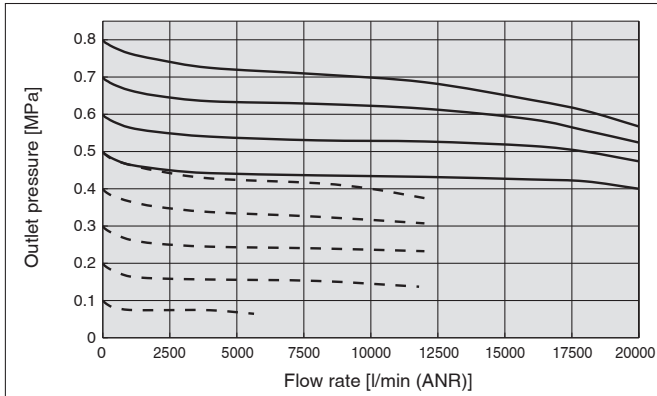
AR40(K)-06-D

Rc3/4



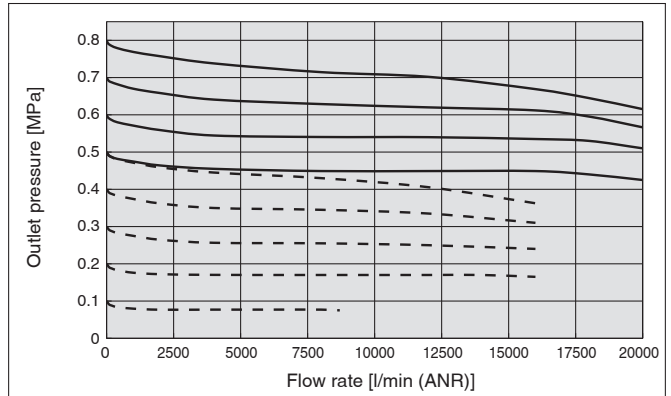
AR50(K)-D

Rc1



AR60(K)-D

Rc1



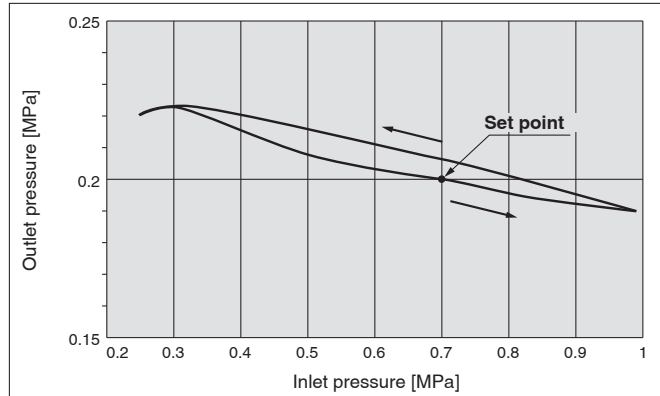
AR20-D to AR60-D Series

AR20K-D to AR60K-D Series

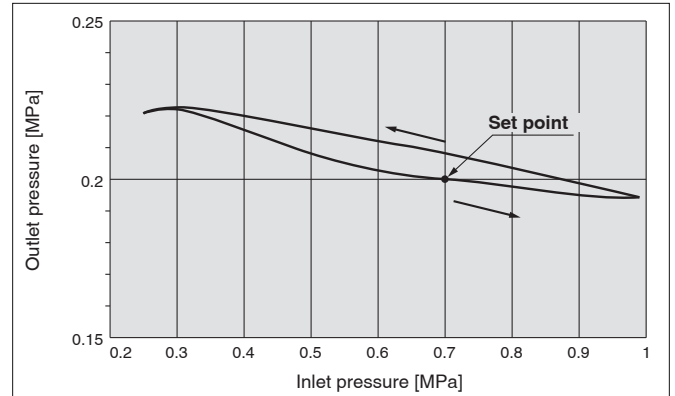
Pressure Characteristics (Representative values)

Conditions: Inlet pressure of 0.7 MPa, Outlet pressure of 0.2 MPa, Flow rate 20 l/min (ANR)

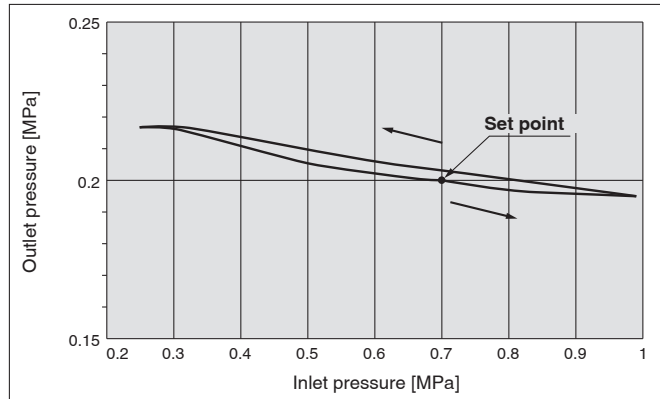
AR20(K)-D



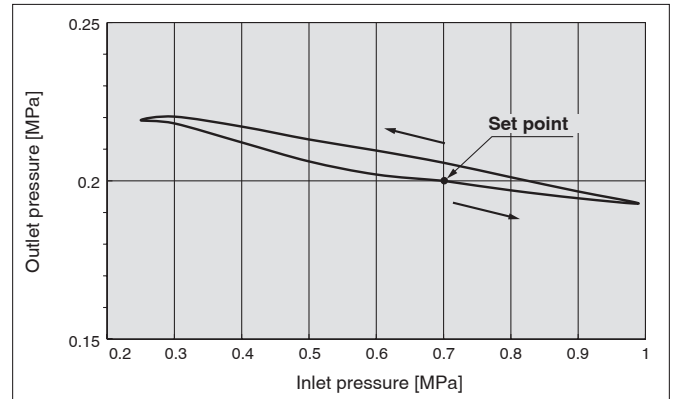
AR30(K)-D



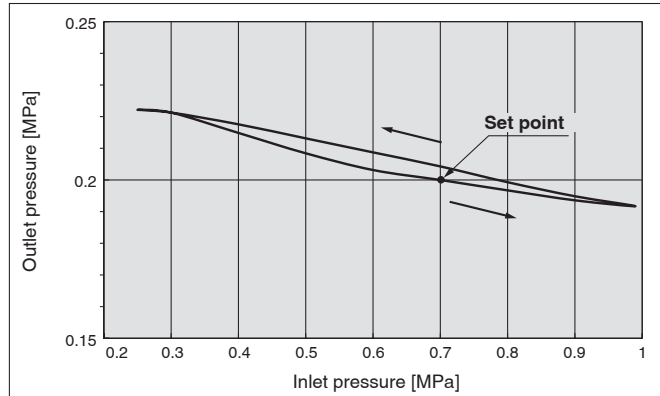
AR40(K)-D



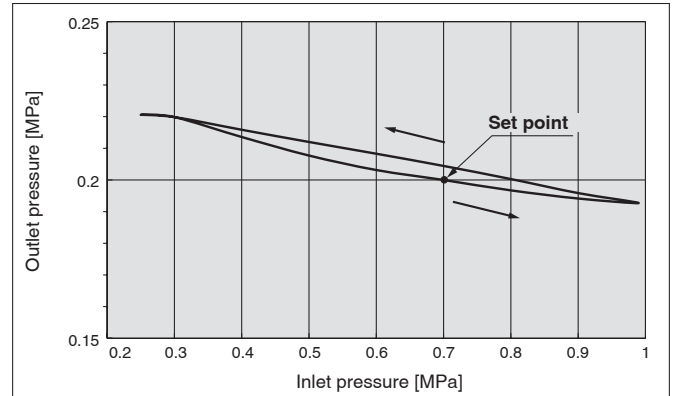
AR40(K)-06-D



AR50(K)-D



AR60(K)-D

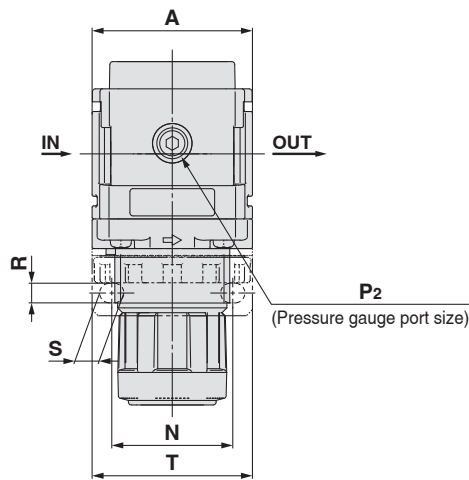
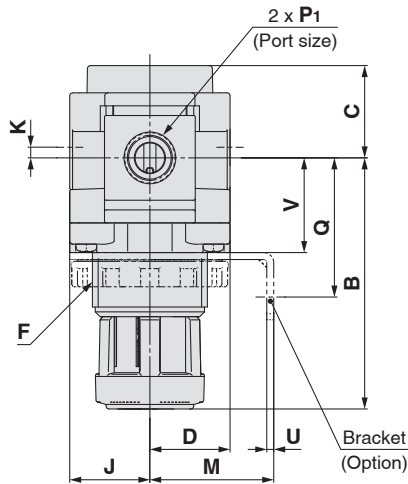


Regulator **AR20-D to AR60-D Series**

Regulator with Backflow Function **AR20K-D to AR60K-D Series**

Dimensions

Standard (Round Type Pressure Gauge) AR20-D to AR40-06-D



Panel cutout dimensions

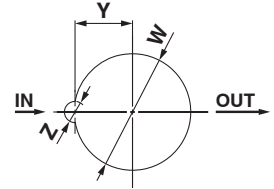
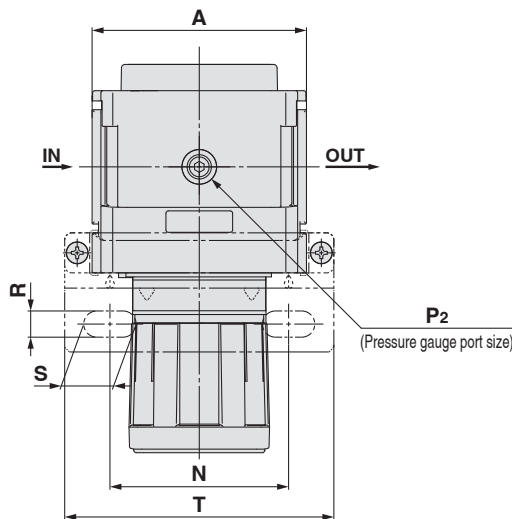
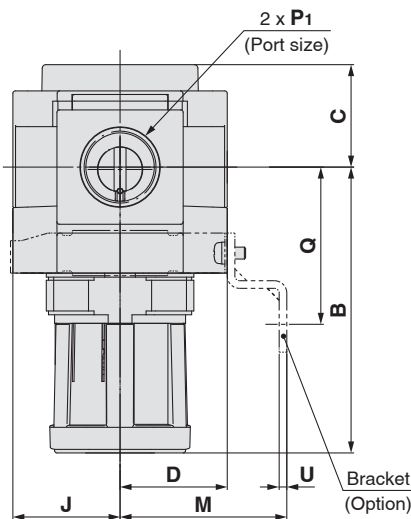
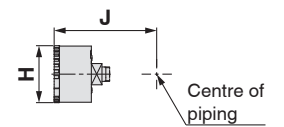


Plate thickness
AR20-D to AR30-D : Max. 3.5
AR40-D to AR40-06-D: Max. 5

AR50-D to AR60-D



Round type pressure gauge



Model	Standard specifications									Optional specifications					
	P ₁	P ₂	A	B*1	C	D	F	J	K	Round type pressure gauge		Round type pressure gauge (Semi-standard: Z)		Round type pressure gauge (with colour zone)	
										H	J	H	J	H	J
AR20-D	1/8, 1/4	1/8	40	66.8	26.5	21	M28 x 1	21	2	Ø 37.5	57.5	Ø 37.5	58.5	Ø 37.5	58.5
AR30-D	1/4, 3/8	1/8	53	86.5	30.5	26.5	M38 x 1.5	26.5	3.5	Ø 37.5	63	Ø 37.5	64	Ø 37.5	64
AR40-D	1/4, 3/8, 1/2	1/8	70	91.5	35.5	35.5	M42 x 1.5	35.5	—	Ø 42.5	73	Ø 42.5	73	Ø 42.5	73
AR40-06-D	3/4	1/8	75	93	35.5	35.5	M42 x 1.5	35.5	—	Ø 42.5	73	Ø 42.5	73	Ø 42.5	73
AR50-D	3/4, 1	1/8	90	125	43	45	—	45	—	Ø 42.5	82.5	Ø 42.5	82.5	Ø 42.5	82.5
AR60-D	1	1/8	95	155	45	45	—	45	—	Ø 42.5	82.5	Ø 42.5	82.5	Ø 42.5	82.5

Model	Optional specifications										
	Bracket mount							Panel mount			
	M	N	Q	R	S	T	U	V	W	Y	Z
AR20-D	30	34	43.9	5.4	15.4	55	2.3	24.7	28.5	14	6
AR30-D	41	40	46	6.5	8	53	2.3	31.3	38.5	19	7
AR40-D	50	54	54	8.5	10.5	70	2.3	35.5	42.5	21	7
AR40-06-D	50	54	55.5	8.5	10.5	70	2.3	37	42.5	21	7
AR50-D	70	75	66	11	22	113	3.2	—	—	—	—
AR60-D	70	75	66	11	22	113	3.2	—	—	—	—

*1 The dimension of B is the length when the regulator knob is unlocked.

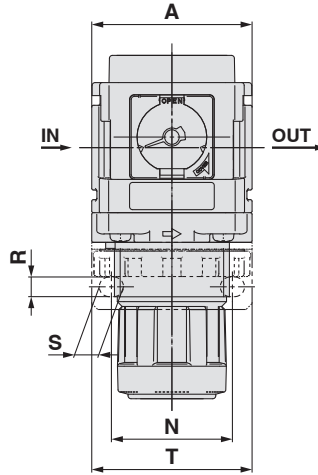
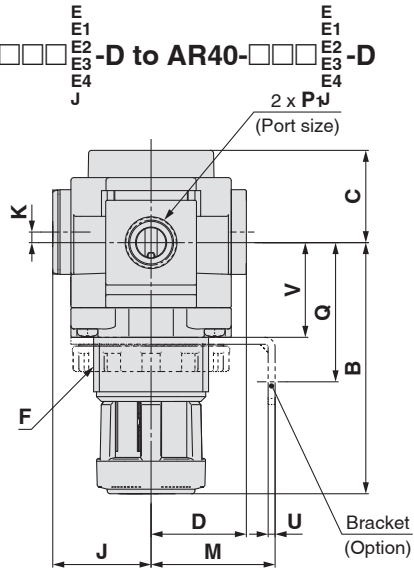
AR20-D to AR60-D Series

AR20K-D to AR60K-D Series

Dimensions

Standard (Square Embedded Type Pressure Gauge, Right Angle Square Type Pressure Gauge, Digital Pressure Switch)

AR20-□□□-D to AR40-□□□-D



Panel cutout dimensions

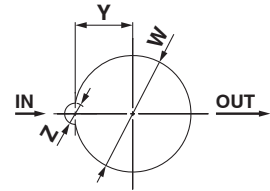
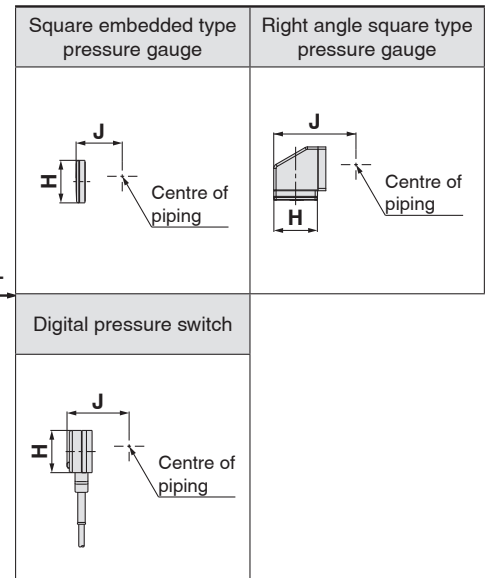
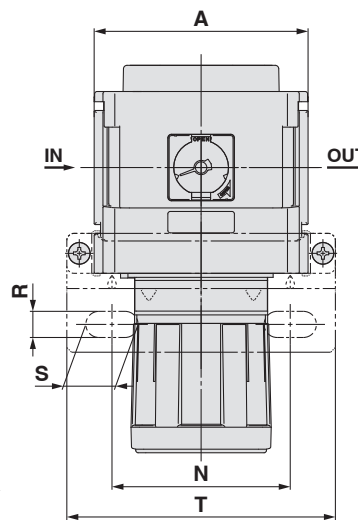
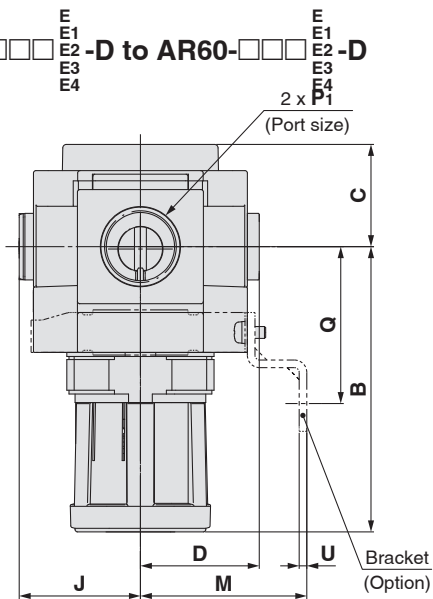


Plate thickness
 AR20-D to AR30-D : Max. 3.5
 AR40-D to AR40-06-D: Max. 5

AR50-□□□-D to AR60-□□□-D



Model	Standard specifications							Optional specifications					
	P1	A	B*1	C	D	F	K	H	J	H	J	H	J
AR20-D	1/8, 1/4	40	66.8	26.5	26	M28 x 1	2	□28	27	□28	54.3	□27.8	37.5
AR30-D	1/4, 3/8	53	86.5	30.5	31.5	M38 x 1.5	3.5	□28	32.5	□28	59.8	□27.8	43
AR40-D	1/4, 3/8, 1/2	70	91.5	35.5	40.5	M42 x 1.5	—	□28	41.5	□28	68.8	□27.8	52
AR40-06-D	3/4	75	93	35.5	40.5	M42 x 1.5	—	□28	41.5	□28	68.8	□27.8	52
AR50-D	3/4, 1	90	125	43	50	—	—	□28	51	—	—	□27.8	61.5
AR60-D	1	95	155	45	50	—	—	□28	51	—	—	□27.8	61.5

Model	Optional specifications											
	Bracket mount							Panel mount				
	M	N	Q	R	S	T	U	V	W	Y	Z	
AR20-D	30	34	43.9	5.4	15.4	55	2.3	24.7	28.5	14	6	
AR30-D	41	40	46	6.5	8	53	2.3	31.3	38.5	19	7	
AR40-D	50	54	54	8.5	10.5	70	2.3	35.5	42.5	21	7	
AR40-06-D	50	54	55.5	8.5	10.5	70	2.3	37	42.5	21	7	
AR50-D	70	75	66	11	22	113	3.2	—	—	—	—	
AR60-D	70	75	66	11	22	113	3.2	—	—	—	—	

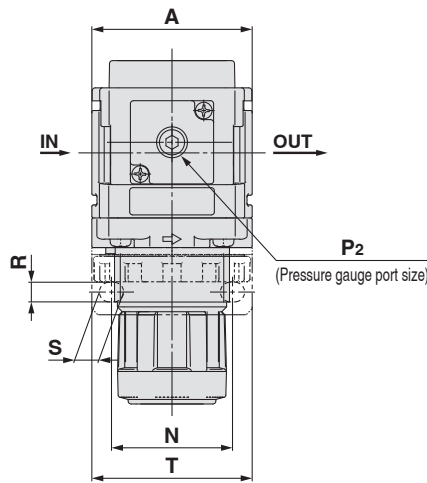
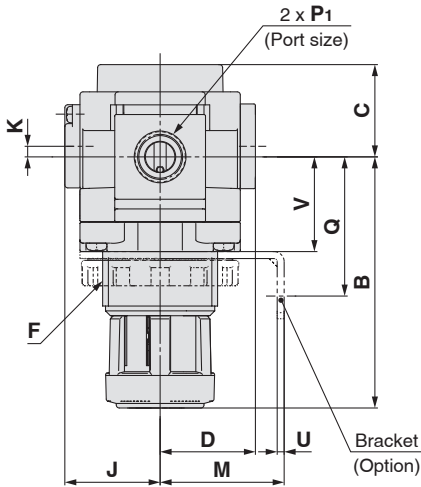
*1 The dimension of B is the length when the regulator knob is unlocked.

Regulator **AR20-D to AR60-D Series**

Regulator with Backflow Function **AR20K-D to AR60K-D Series**

Dimensions

With Backflow Function (Round Type Pressure Gauge, Square Embedded Type Pressure Gauge, Right Angle Square Type Pressure Gauge, Digital Pressure Switch)
AR20K-D to AR40K-06-D



Panel cutout dimensions

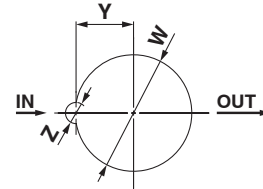
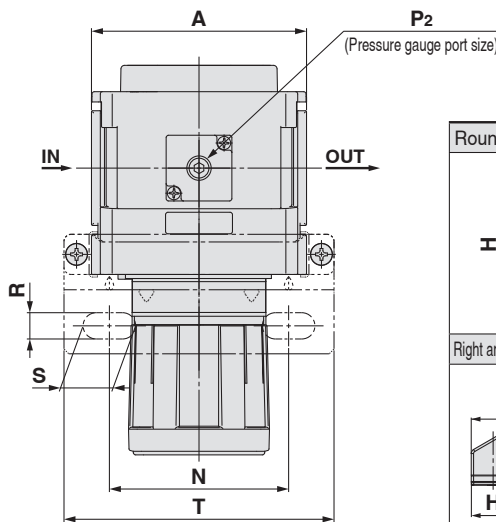
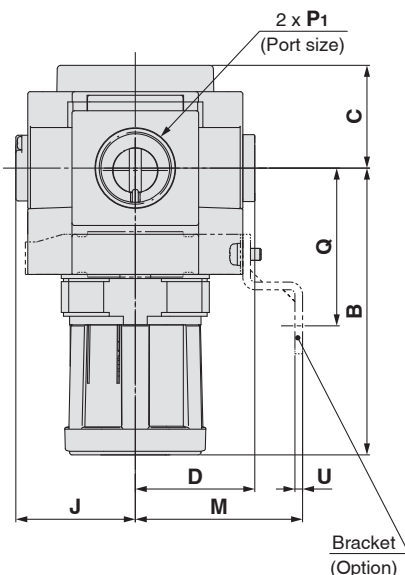


Plate thickness
AR20K-D to AR30K-D : Max. 3.5
AR40K-D to AR40K-06-D: Max. 5

AR50K-D to AR60K-D



Round type pressure gauge	Square embedded type pressure gauge
Right angle square type pressure gauge	Digital pressure switch

Model	Standard specifications									Optional specifications							
	P1	P2	A	B*1	C	D	F	J	K	Round type pressure gauge	Round type pressure gauge (Semi-standard: Z)	Round type pressure gauge (with colour zone)	H	J	H	J	
AR20K-D	1/8, 1/4	1/8	40	66.8	26.5	26	M28 x 1	26	2	○ 37.5	62.5	○ 37.5	63.5	○ 37.5	63.5		
AR30K-D	1/4, 3/8	1/8	53	86.5	30.5	31.5	M38 x 1.5	31.5	3.5	○ 37.5	68	○ 37.5	69	○ 37.5	69		
AR40K-D	1/4, 3/8, 1/2	1/8	70	91.5	35.5	40.5	M42 x 1.5	40.5	—	○ 42.5	78	○ 42.5	78	○ 42.5	78		
AR40K-06-D	3/4	1/8	75	93	35.5	40.5	M42 x 1.5	40.5	—	○ 42.5	78	○ 42.5	78	○ 42.5	78		
AR50K-D	3/4, 1	1/8	90	125	43	50	—	50	—	○ 42.5	87.5	○ 42.5	87.5	○ 42.5	87.5		
AR60K-D	1	1/8	95	155	45	50	—	50	—	○ 42.5	87.5	○ 42.5	87.5	○ 42.5	87.5		

Model	Optional specifications																		
	Square embedded type pressure gauge			Right angle square type pressure gauge		Digital pressure switch		Bracket mount						Panel mount					
	H	J		H	J	H	J	M	N	Q	R	S	T	U	V	W	Y	Z	
AR20K-D	□28	27		□28	54.3	□27.8	37.5	30	34	43.9	5.4	15.4	55	2.3	24.7	28.5	14	6	
AR30K-D	□28	32.5		□28	59.8	□27.8	43	41	40	46	6.5	8	53	2.3	31.3	38.5	19	7	
AR40K-D	□28	41.5		□28	68.8	□27.8	52	50	54	54	8.5	10.5	70	2.3	35.5	42.5	21	7	
AR40K-06-D	□28	41.5		□28	68.8	□27.8	52	50	54	55.5	8.5	10.5	70	2.3	37	42.5	21	7	
AR50K-D	□28	51		—	—	□27.8	61.5	70	75	66	11	22	113	3.2	—	—	—	—	
AR60K-D	□28	51		—	—	□27.8	61.5	70	75	66	11	22	113	3.2	—	—	—	—	

*1 The dimension of B is the length when the regulator knob is unlocked.

Regulator/AR20-D to AR60-D

Regulator with Backflow Function/AR20K-D to AR60K-D

Made to Order

Please contact SMC for detailed dimensions, specifications, and lead times.



① 0.4 MPa Setting

The setting specification is 0.4 MPa. When a pressure gauge is included, the display will show a range from 0 to 0.7 MPa.

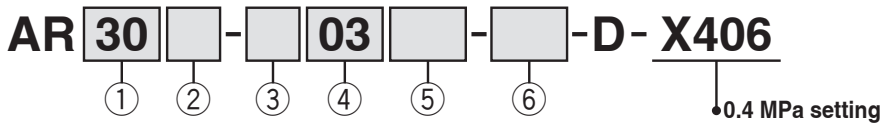
Specifications

Made-to-order part no.	-X406
Proof pressure [MPa]	1.5
Max. operating pressure [MPa]	1.0
Set pressure range [MPa]*1	0.05 to 0.4

*1 Pressure can be set higher than the specification pressure in some cases, but use pressure within the specification range.

Applicable Models

Model	AR20(K)-D	AR30(K)-D	AR40(K)-D	AR40(K)-06-D	AR50(K)-D	AR60(K)-D
Port size	1/8, 1/4	1/4, 3/8	1/4, 3/8, 1/2	3/4	3/4, 1	1



Option and Semi-standard Symbol Selection

- Select one each for a to f.
 - When more than one specification is required, indicate in alphabetical order.
- Example) AR30K-F03BE-NR-D-X406

	Symbol	Description	① Body size						
			20	30	40	50	60		
② With backflow function	—	Without backflow function	●	●	●	●	●		
	K*1	With backflow function	●	●	●	●	●		
③ Pipe thread type	—	Rc	●	●	●	●	●		
	N	NPT	●	●	●	●	●		
	F	G	●	●	●	●	●		
④ Port size	01	1/8	●	—	—	—	—		
	02	1/4	●	●	—	—	—		
	03	3/8	—	●	●	—	—		
	04	1/2	—	—	●	—	—		
	06	3/4	—	—	—	●	—		
	10	1	—	—	—	●	●		
⑤ Option*2	a Mounting	—	Without mounting option	●	●	●	●	●	
		B*3	With bracket	●	●	●	●	●	
		H	With set nut (for panel mount)	●	●	●	—	—	
	b Pressure gauge*4	—	Without pressure gauge	●	●	●	●	●	
		E	Square embedded type pressure gauge (with limit indicator)	●	●	●	●	●	
		G	Round type pressure gauge (with limit indicator)	●	●	●	●	●	
		J*5,*6	Right angle square type pressure gauge (with limit indicator)	●	●	●	—	—	
		M	Round type pressure gauge (with colour zone)	●	●	●	●	●	
		Digital pressure switch*7	E1	Output: NPN output, Electrical entry: Wiring bottom entry	●	●	●	●	●
			E2	Output: NPN output, Electrical entry: Wiring top entry	●	●	●	●	●
E3	Output: PNP output, Electrical entry: Wiring bottom entry		●	●	●	●	●		
E4	Output: PNP output, Electrical entry: Wiring top entry		●	●	●	●	●		
⑥ Semi-standard	c Exhaust mechanism	—	Relieving type	●	●	●	●	●	
		N	Non-relieving type	●	●	●	●	●	
	d Flow direction	—	Flow direction: Left to right	●	●	●	●	●	
		R	Flow direction: Right to left	●	●	●	●	●	
	e Knob	—	Downward	●	●	●	●	●	
		Y	Upward	●	●	●	●	●	
f Unit	—	Unit on product label: MPa, Pressure gauge in SI units: MPa	○*10	○*10	○*10	○*10	○*10		
	Z*8	Unit on product label: psi, Pressure gauge: MPa/psi dual scale	○*10	○*10	○*10	○*10	○*10		
	ZA*9	Digital pressure switch: With unit selection function	△*11	△*11	△*11	△*11	△*11		

*1 Set the inlet pressure to at least 0.05 MPa higher than the set pressure.

*2 Options B, G, H, and M are not assembled and supplied loose at the time of shipment.

*3 The assembly consists of a bracket and set nuts (applicable to the AR20(K)-D to AR40(K)-D). The AR50(K)-D and AR60(K)-D assemblies include 2 types of brackets and 2 mounting screws.

*4 A 0.7 MPa pressure gauge will be fitted.

*5 Cannot be selected for the type with a set nut (option "H")

*6 The direction the pressure gauge scale plate faces is from the knob side.

*7 When choosing with H (panel mount), the installation space for lead wires will not be secured. In this case, select "wiring top entry" for the electrical entry. (Select "wiring bottom entry" when the semi-standard Y is chosen simultaneously.)

*8 For the pipe thread type: NPT

This product is for overseas use only according to the New Measurement Act. (The SI unit type is provided for use in Japan.) Cannot be used with M: Round type pressure gauge (with colour zone). Available by request for special. The digital pressure switch will be equipped with the unit selection function, setting to psi initially.

*9 For options: E1, E2, E3, E4. This product is for overseas use only according to the New Measurement Act. (The SI unit type is provided for use in Japan.)

*10 ○: For the pipe thread type: NPT only

*11 △: Select with options: E1, E2, E3, E4.

Regulator/AR20-D to AR60-D Regulator with Backflow Function/AR20K-D to AR60K-D Made to Order

Please contact SMC for detailed dimensions, specifications, and lead times.

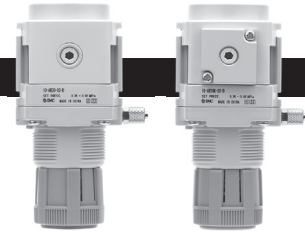


② Clean Series

For details, refer to the Clean Series/Low Particle Generation section of the **Web Catalogue**.

10 - Standard model no.

• Clean Series



Without backflow
function

With backflow
function

③ Copper, Fluorine and Silicone-free + Low Particle Generation

For details, refer to the Clean Series/Low Particle Generation section of the **Web Catalogue**.

21 - Standard model no.

• Copper, Fluorine and Silicone-free + Low Particle Generation